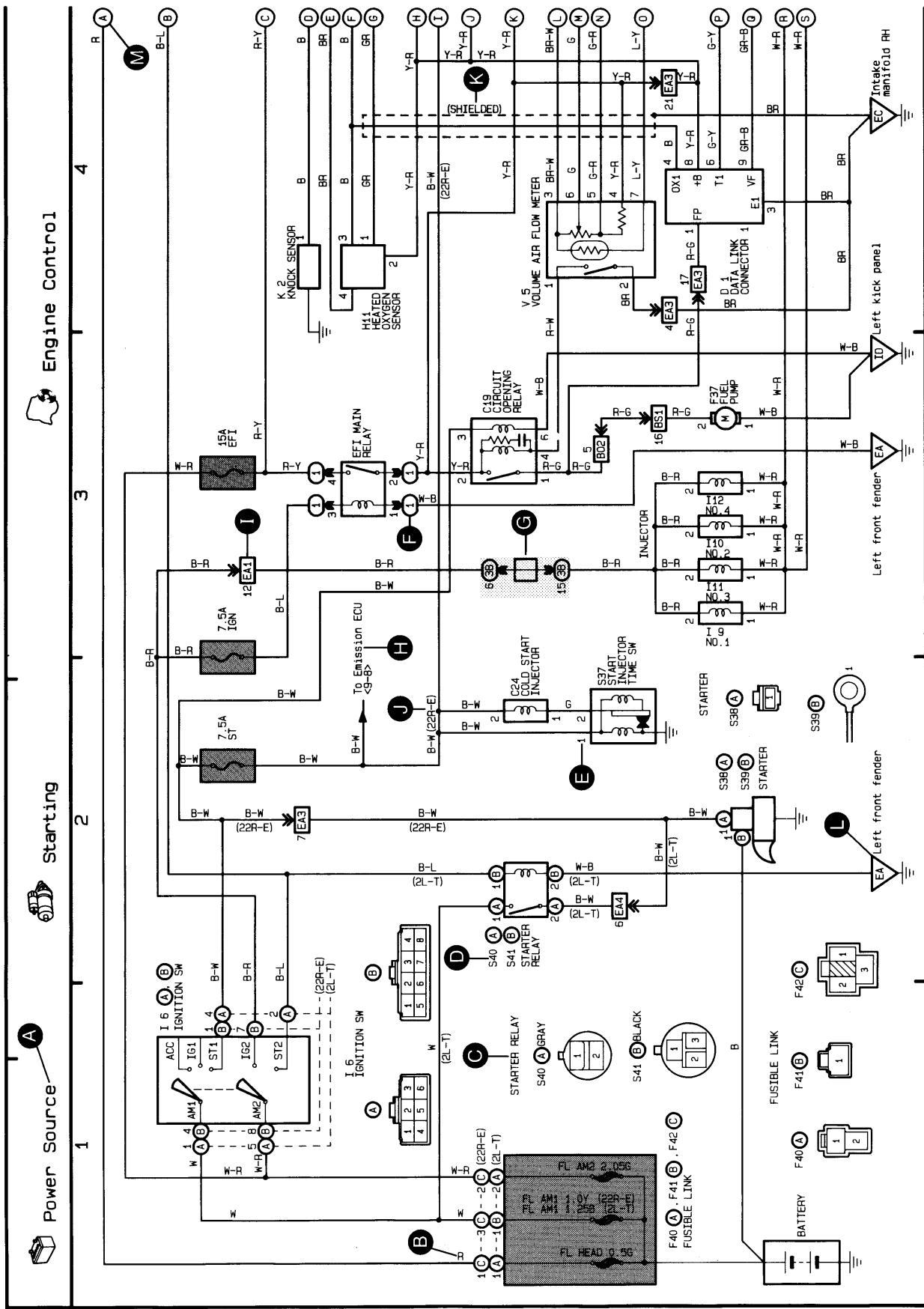


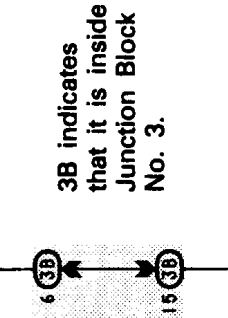
K OVERALL ELECTRICAL WIRING DIAGRAM

* The system shown here is an EXAMPLE ONLY. It is different to the actual circuit shown in the wiring diagram section.

HOW TO READ THIS SECTION

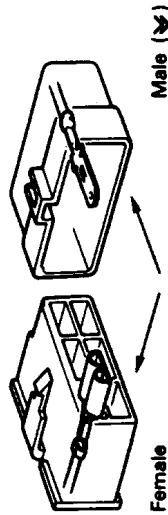


- G**: Junction Block (The number in the circle is the J/B No. and the connector code is shown beside it). Junction Blocks are shaded to clearly separate them from other parts (different junction blocks are shaded differently for further clarification).



Example:

- H**: Indicates related system.
- I**: Indicates the wiring harness and wiring harness connector. The wiring harness with male terminal is shown with arrows (↗).



- J**: () is used to indicate different wiring and connector, etc. when the vehicle model, engine type, or specification is different.
- K**: Indicates a shielded cable.

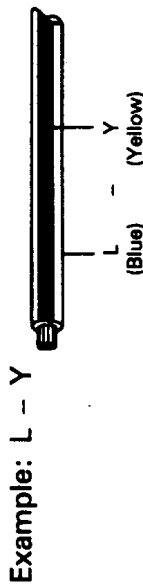


- L**: Indicates and located on ground point.
- M**: The same code occurring on the next page indicates that the wire harness is continuous.

- A**: System Title
- B**: Indicates the wiring color.

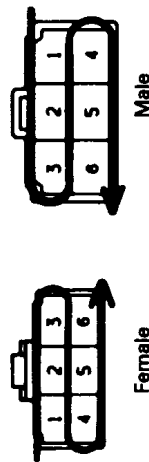
Wire colors are indicated by an alphabetical code.
 B = Black L = Blue R = Red
 BR = Brown LG = Light Green V = Violet
 G = Green O = Orange W = White
 GR = Gray P = Pink Y = Yellow

The first letter indicates the basic wire color and the second letter indicates the color of the stripe.



- C**: Indicates the connector to be connected to a part (the numeral indicates the pin No.)
- D**: The position of the parts is the same as shown in the wiring diagram and wire routing.
- E**: Indicates the pin number of the connector. The numbering system is different for female and male connectors.

Example: Numbered in order from upper left to lower right



The numbering system for the overall wiring diagram is the same as above.

- F**: Indicates a Relay Block. No shading is used and only the Relay Block No. is shown to distinguish it from the J/B.
- Example: **1** Indicates Relay Block No. 1.

K OVERALL ELECTRICAL WIRING DIAGRAM

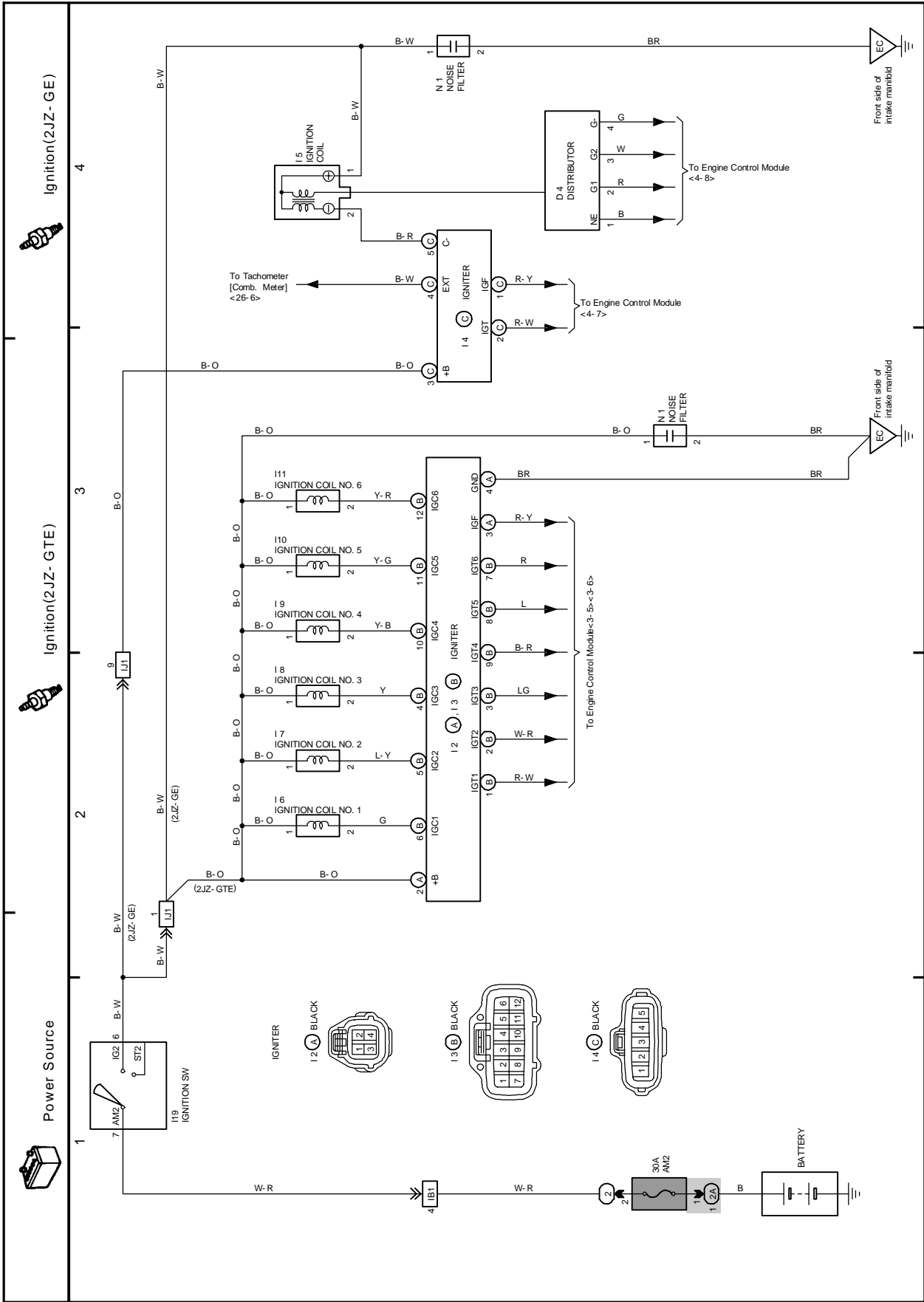
1997 Model (Location No. 1 to 27)

SYSTEM INDEX

SYSTEMS	LOCATION	SYSTEMS	LOCATION	SYSTEMS	LOCATION
ABS	19-3 (w/ Traction Control) 18-3 (w/o Traction Control)	Horn	9-4	Seat Heater (Canada)	22-4
Auto Antenna	25-4	Ignition	2-4 (2JZ-GE) 2-2 (2JZ-GTE)	Shift Lock	22-2
Back-Up Light	16-8 (2JZ-GE) 15-8 (2JZ-GTE)	Illumination	8-3	SRS	13-3
Charging	1-4	Interior Light	10-3	Starting	1-2
Cigarette Lighter	22-1	Light Auto Turn Off	11-2	Stop Light	7-4
Clock	21-3	Power Seat	12-4	Taillight	7-2
Combination Meter	26-3	Power Source	1~27-1	Theft Deterrent and Door Lock Control	14-3
Cruise Control	17-3	Power Window	12-2	Traction Control	20-3
Electric Tension Reducer	21-4	PPS	21-3	Turn Signal and Hazard Warning Light	9-2
Electronically Controlled Transmission and A/T Indicator	16-3 (2JZ-GE) 15-3 (2JZ-GTE)	Radiator Fan and Automatic Air Conditioning	27-3	Unlock and Seat Belt Warning	10-2
Engine Control	4-3 (2JZ-GE) 3-3 (2JZ-GTE)	Radio and Player	24-3 (w/ Stereo Power Amplifier) 25-2 (w/o Stereo Power Amplifier)		
Fog Light	5-4	Rear Window Defogger and Mirror Heater	21-2		
Front Wiper and Washer	23-4	Rear Wiper and Washer	23-2		
Headlight	6-3 (Canada) 5-3 (USA)	Remote Control Mirror	11-4		

K OVERALL ELECTRICAL WIRING DIAGRAM

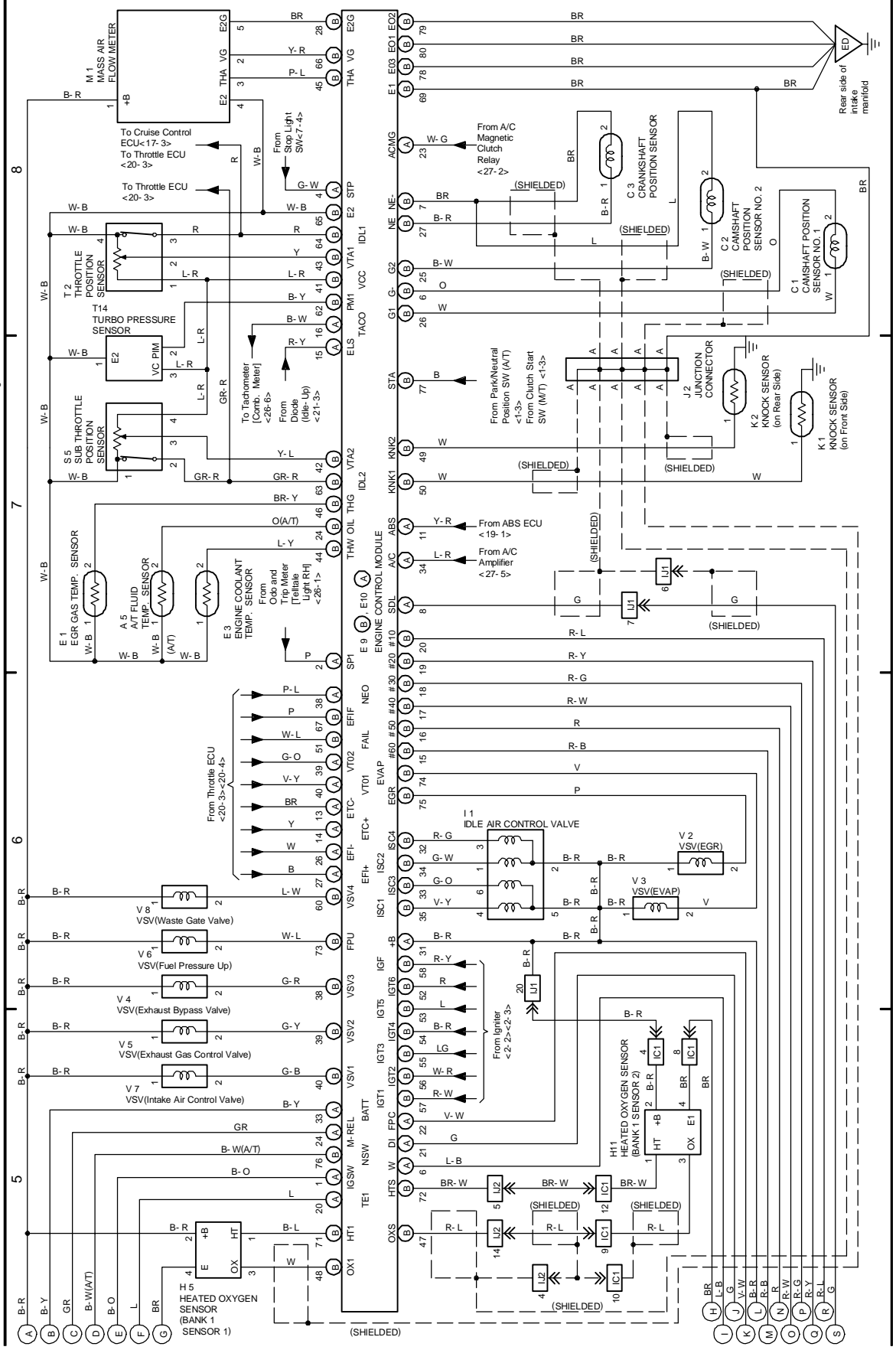
2 SUPRA





Engine Control(2JZ-GTE)

For the connectors of the parts listed below, see the next page.
- Engine Control Module



K OVERALL ELECTRICAL WIRING DIAGRAM

3 SUPRA(Cont' d)



Engine Control(2JZ- GTE)

9

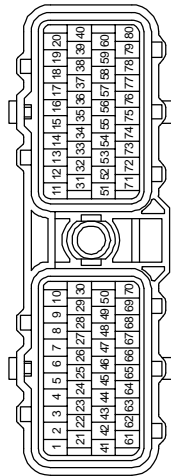
10

11

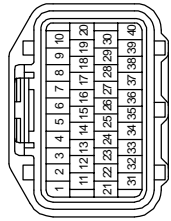
12

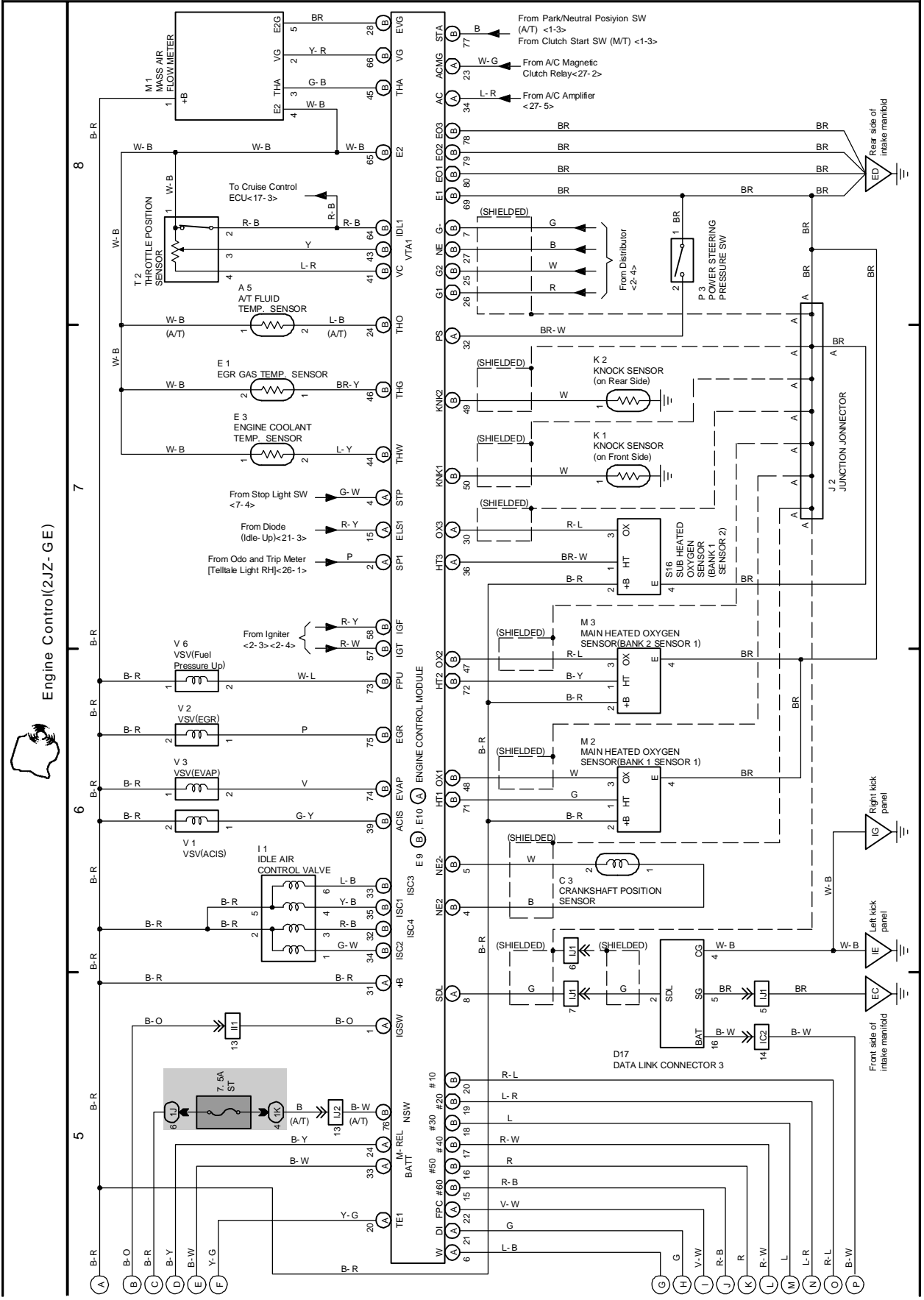
ENGINE CONTROL MODULE

E 9 (B) DARK GRAY

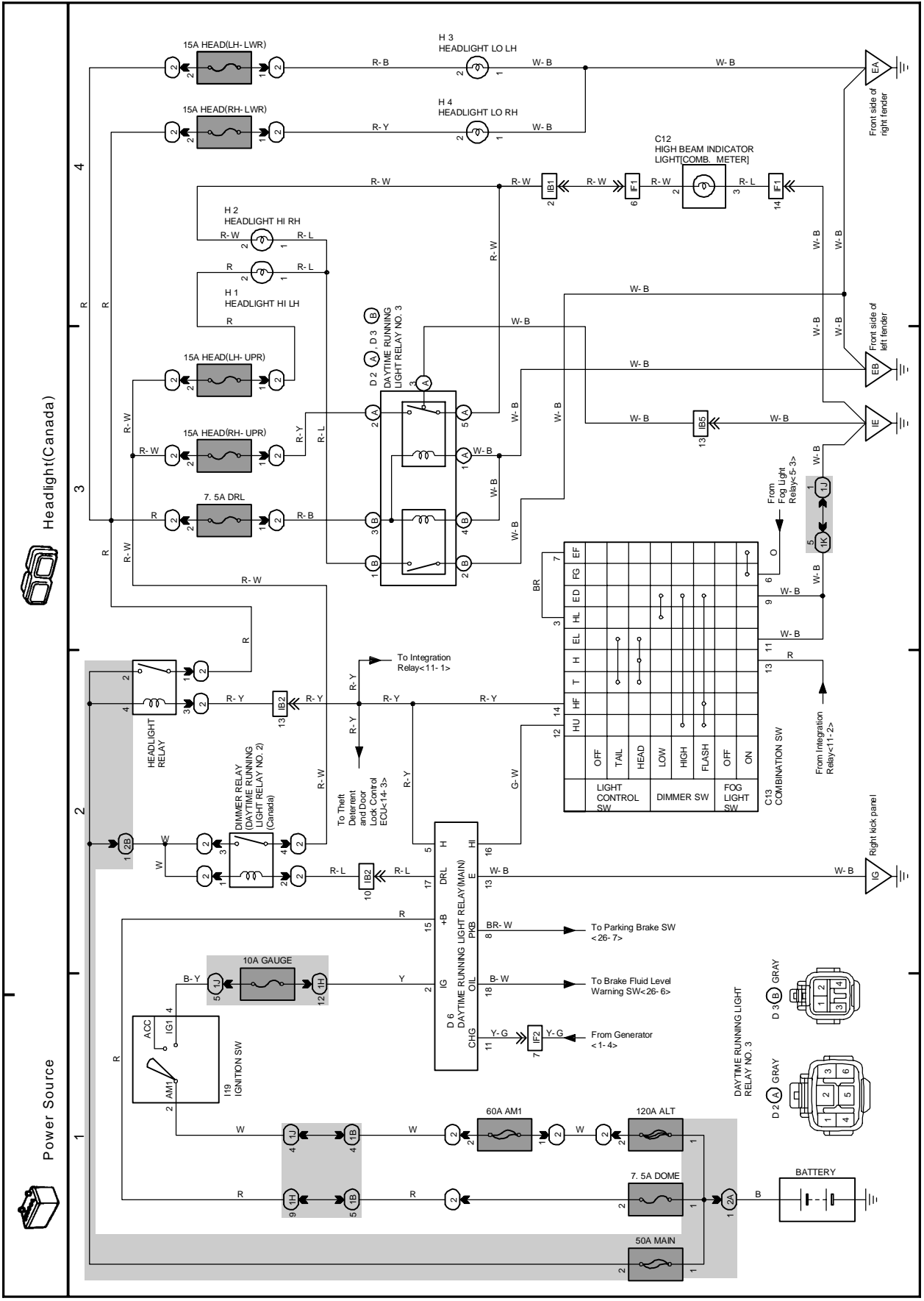


E 10 (A) DARK GRAY



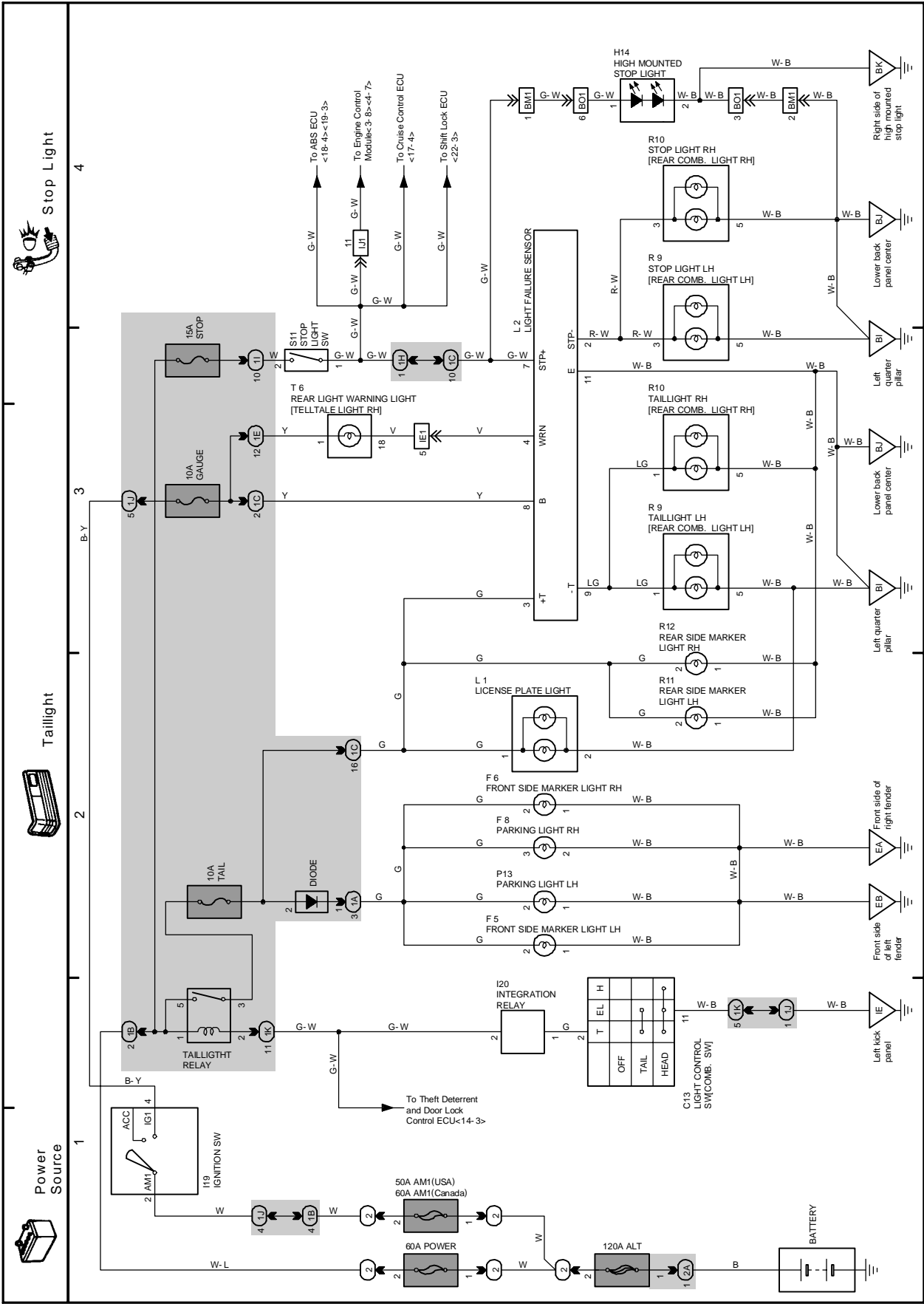


6 SUPRA

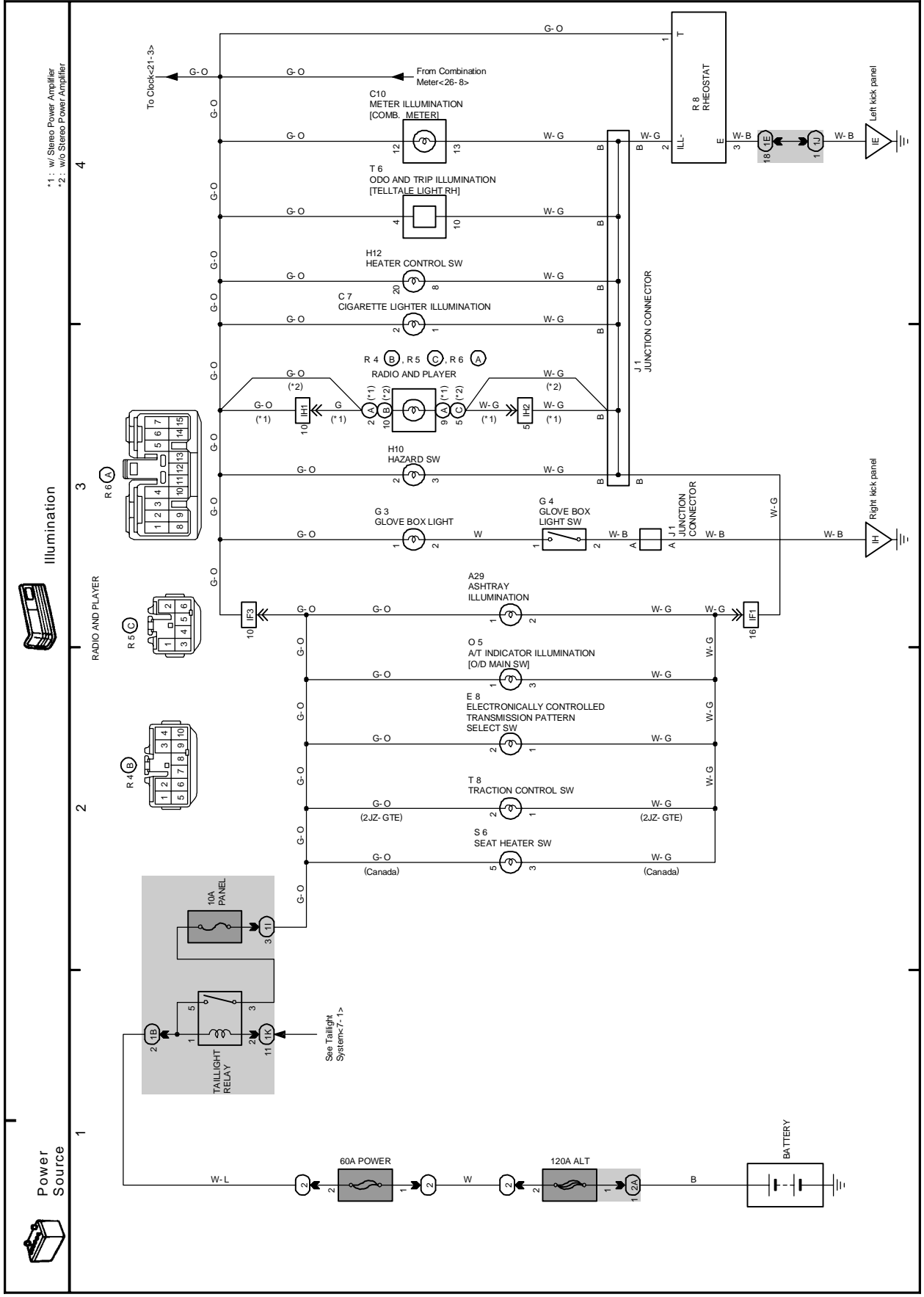


K OVERALL ELECTRICAL WIRING DIAGRAM

7 SUPRA

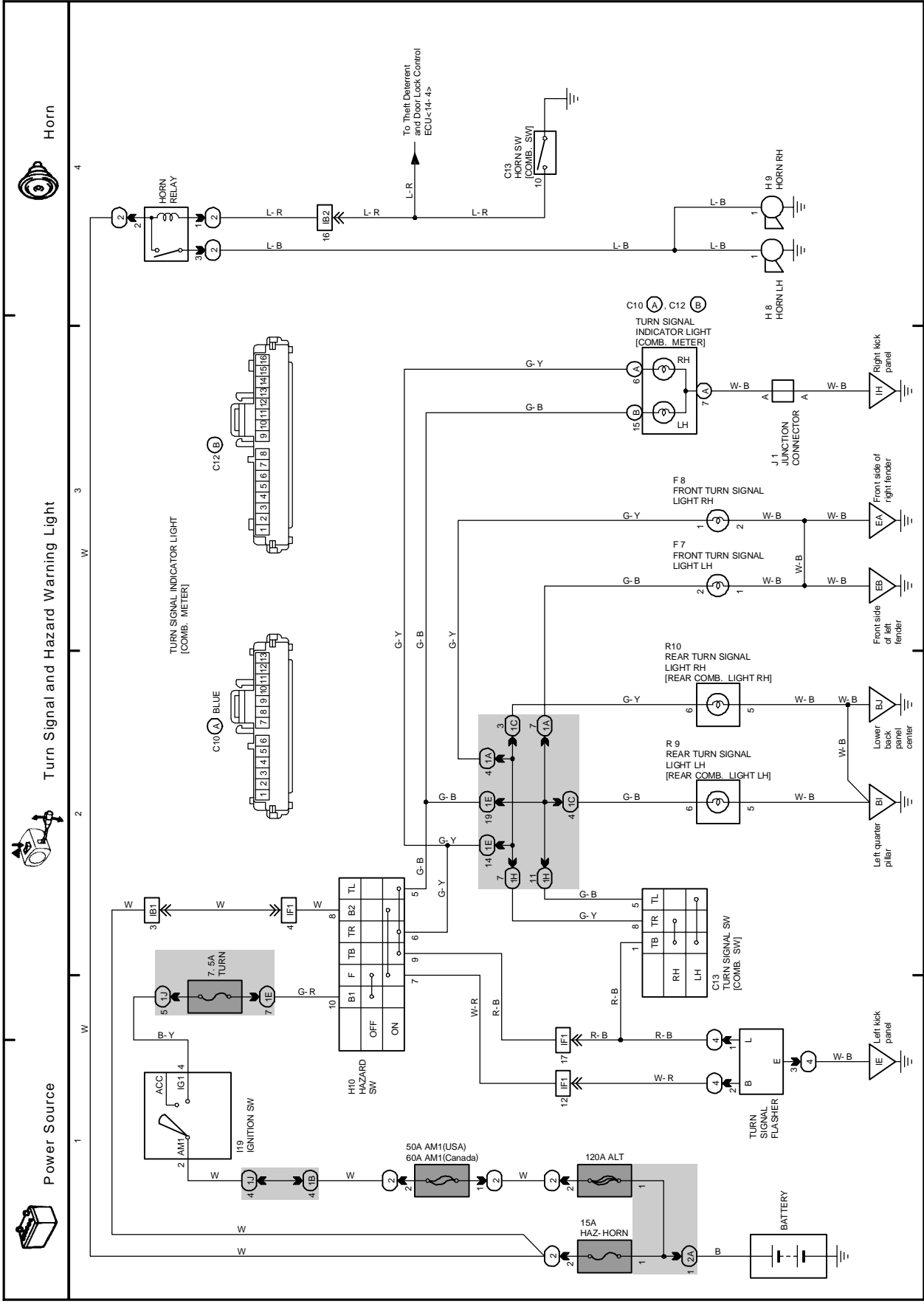


8 SUPRA

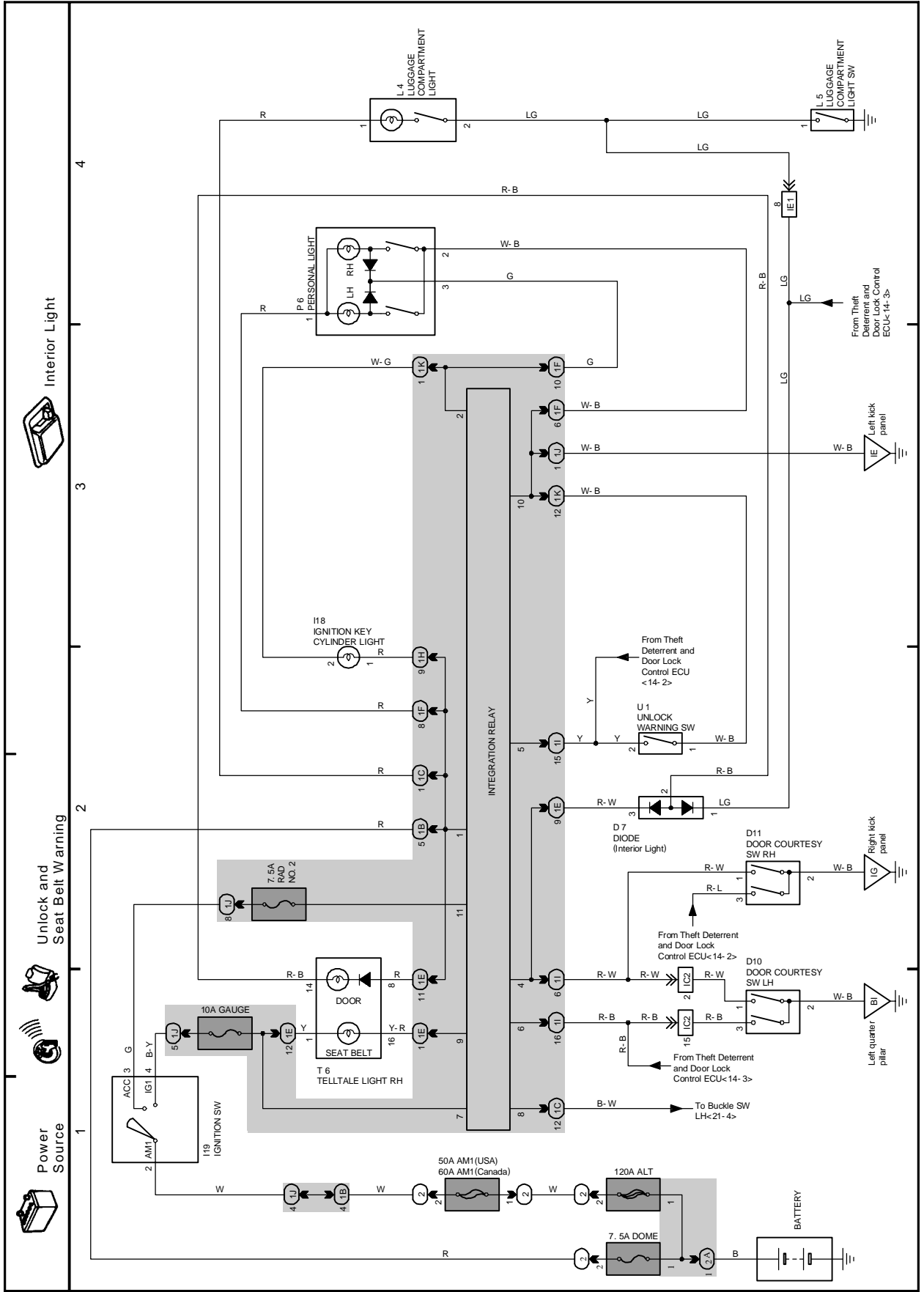


K OVERALL ELECTRICAL WIRING DIAGRAM

9 SUPRA

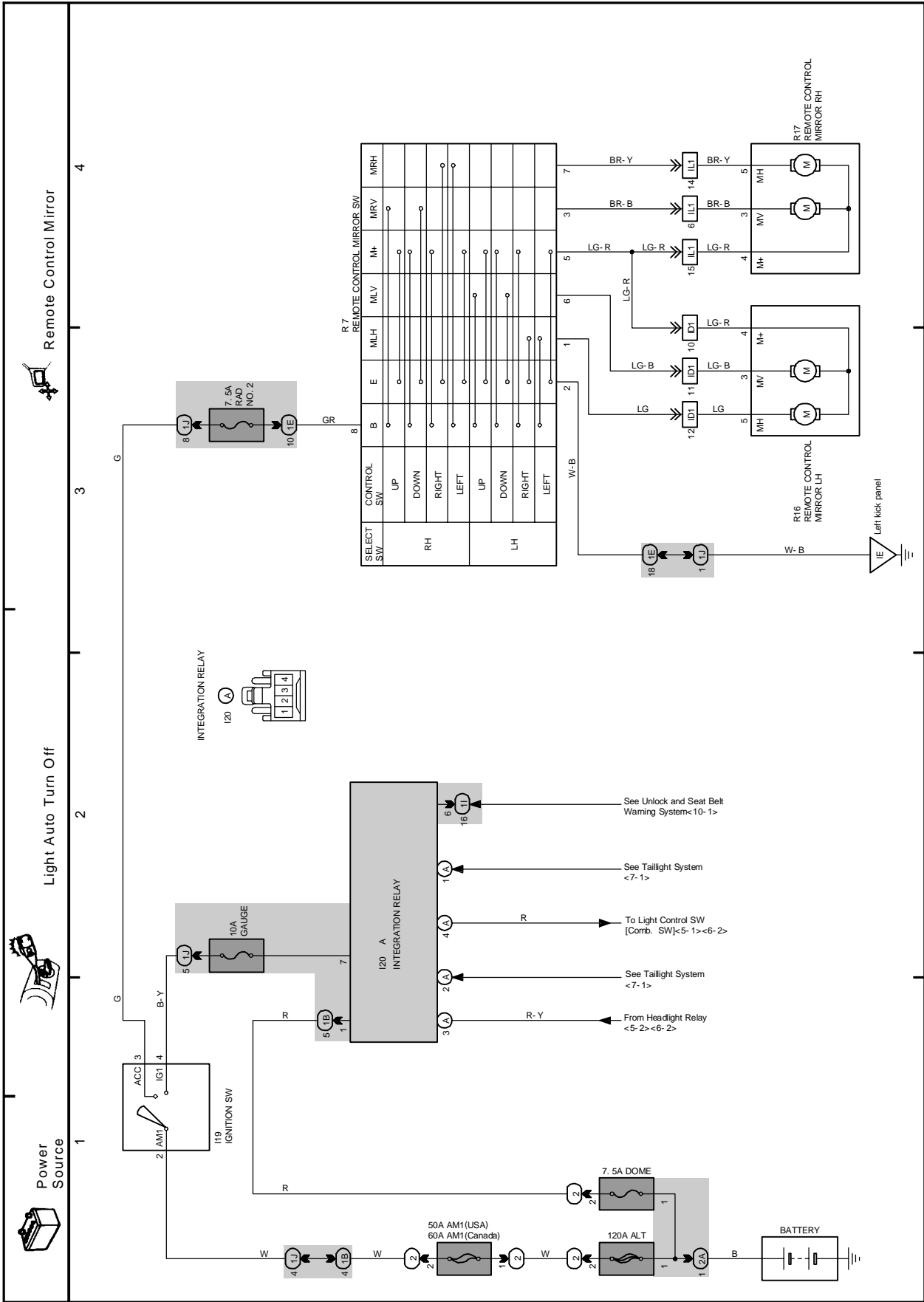


10 SUPRA

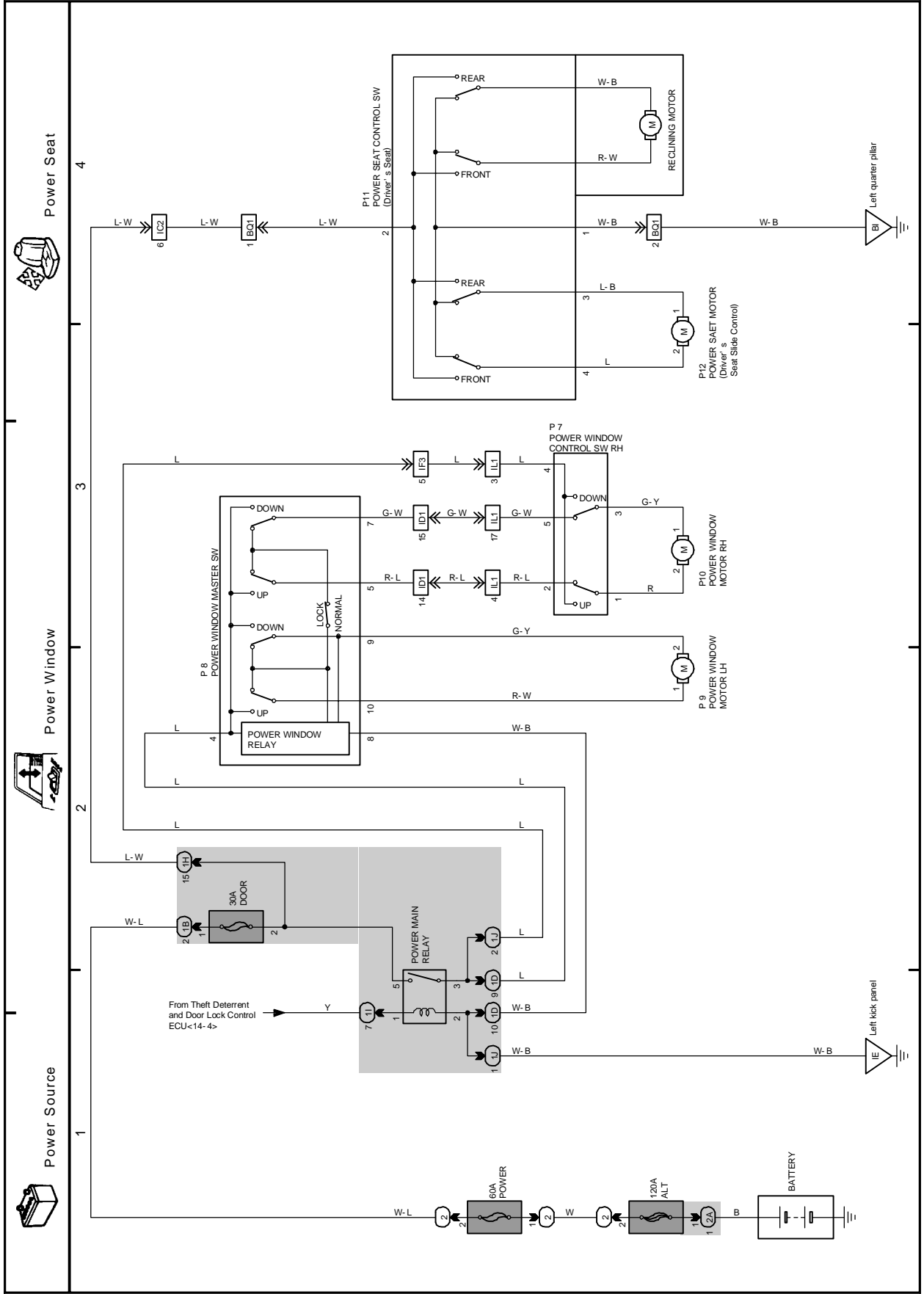


K OVERALL ELECTRICAL WIRING DIAGRAM

11 SUPRA

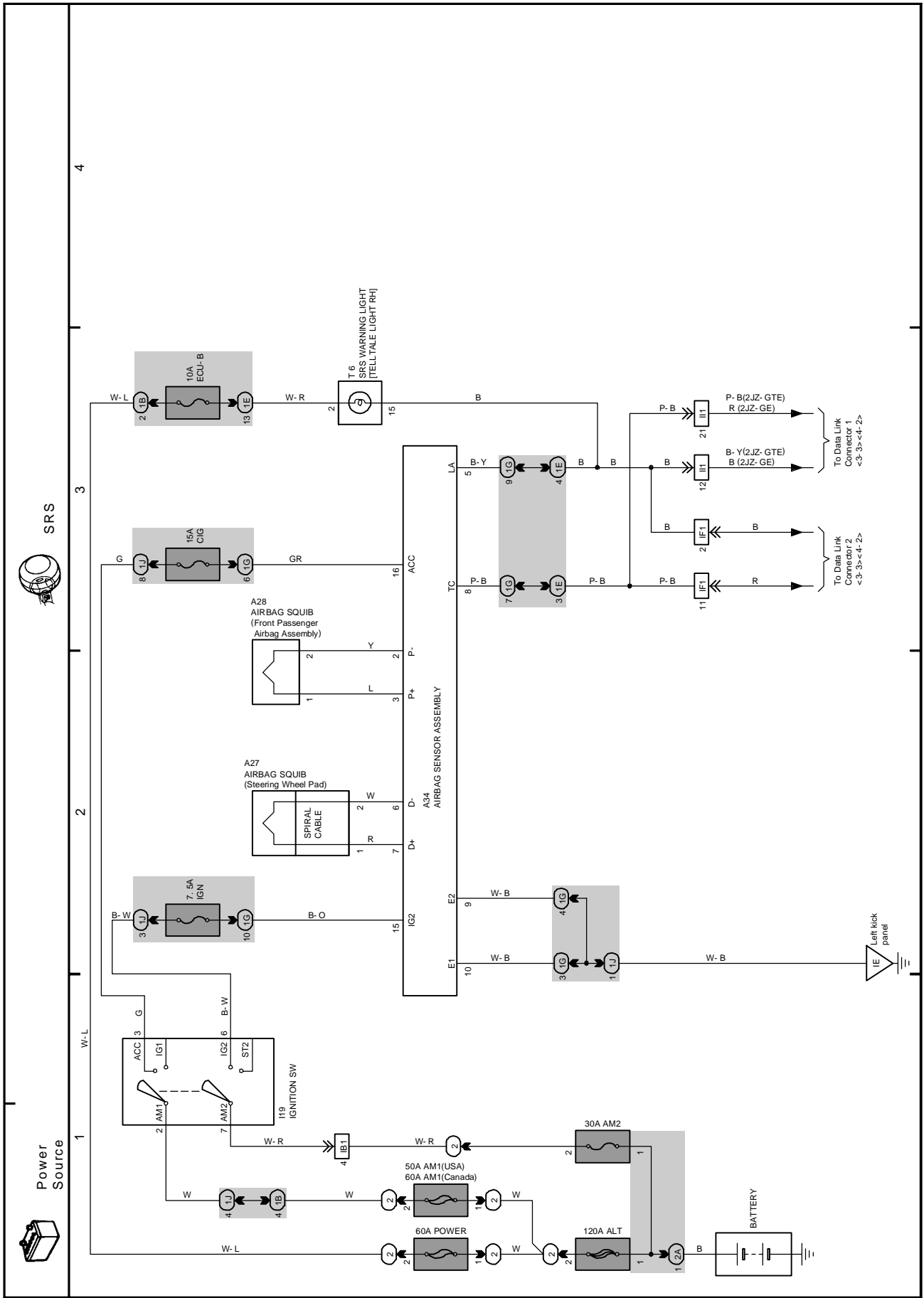


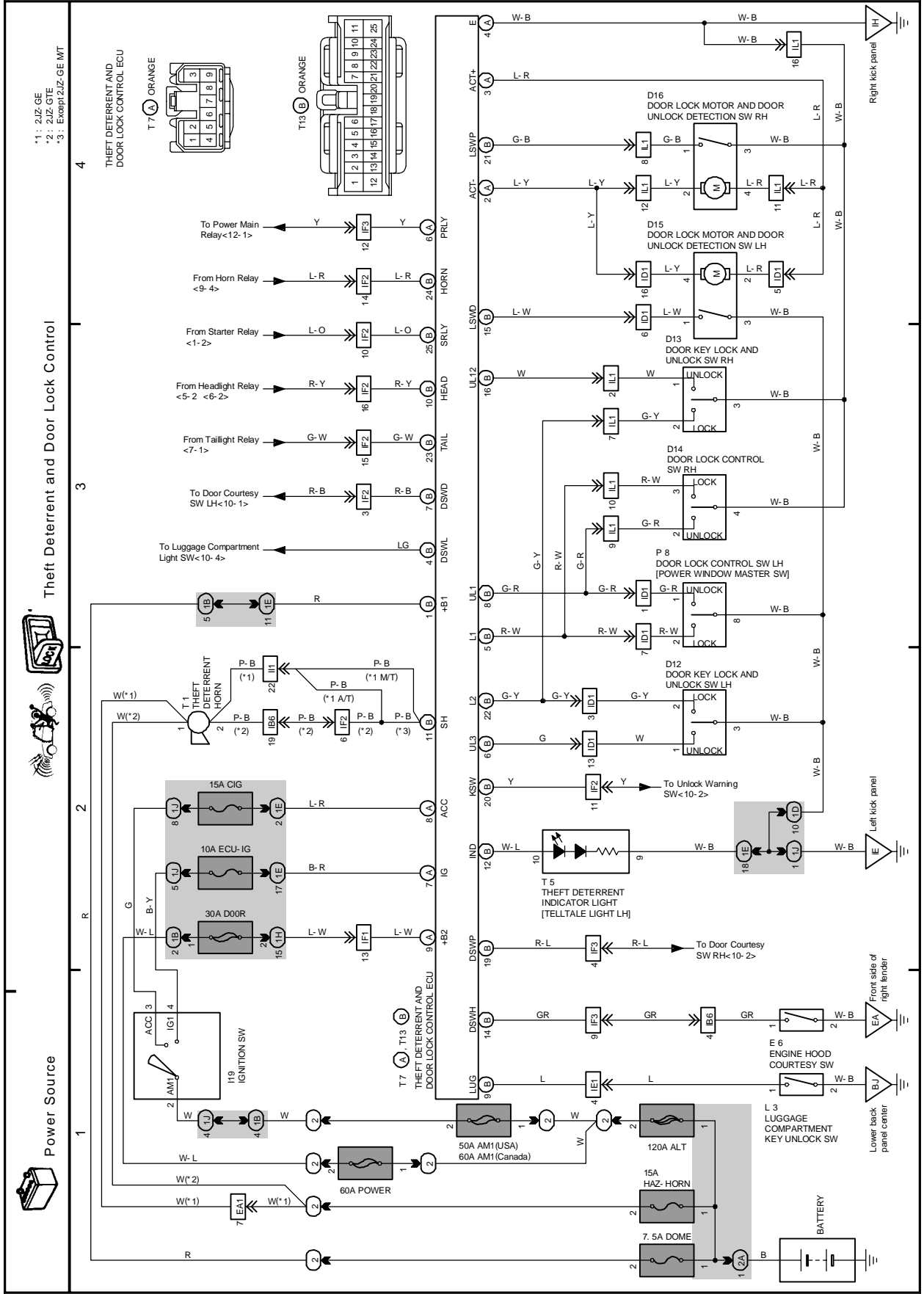
12 SUPRA



K OVERALL ELECTRICAL WIRING DIAGRAM

13 SUPRA





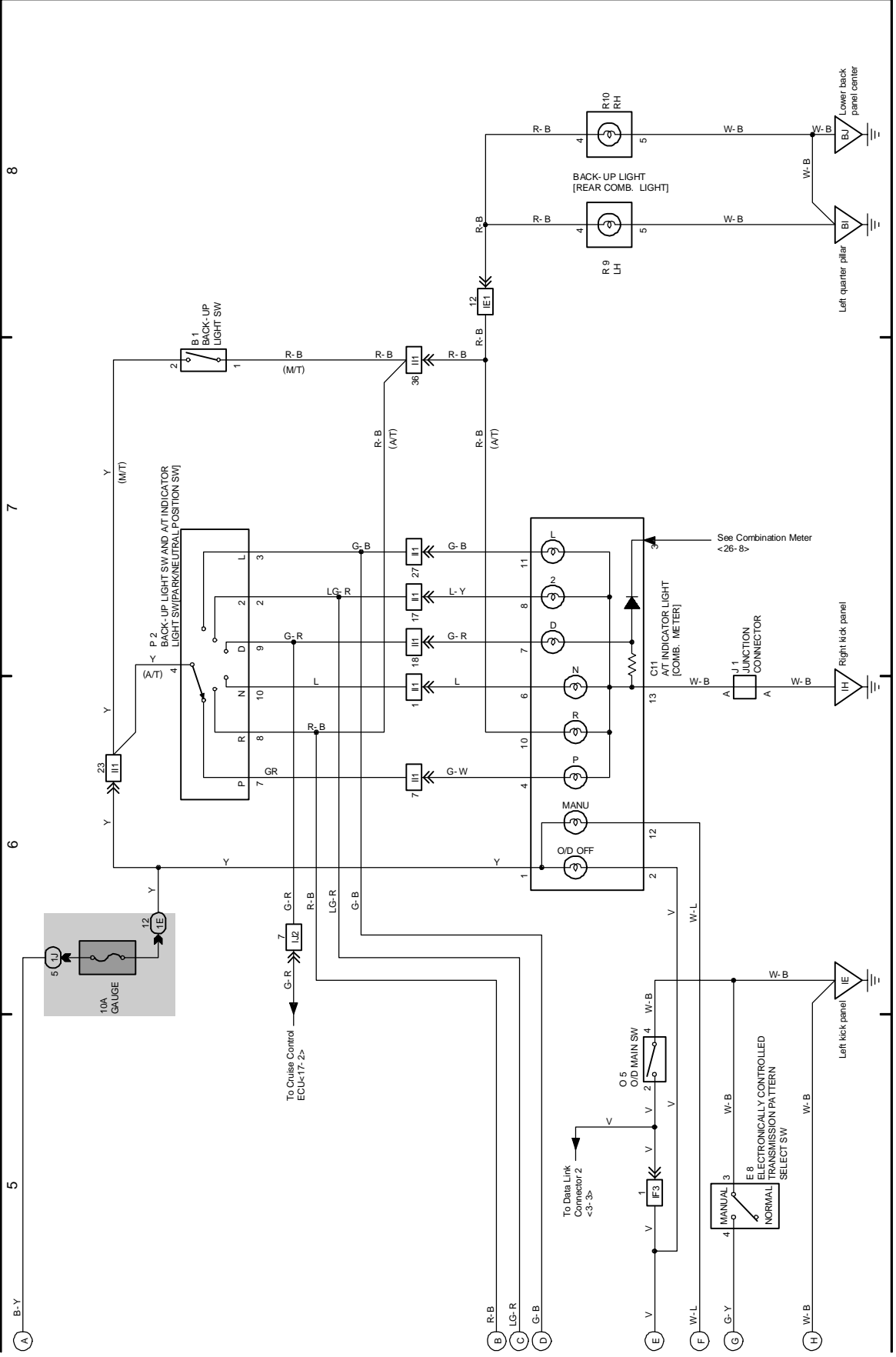
15 SUPRA(Cont' d)



Electronically Controlled Transmission and A/T Indicator



Back-Up Light(2JZ-GTE)



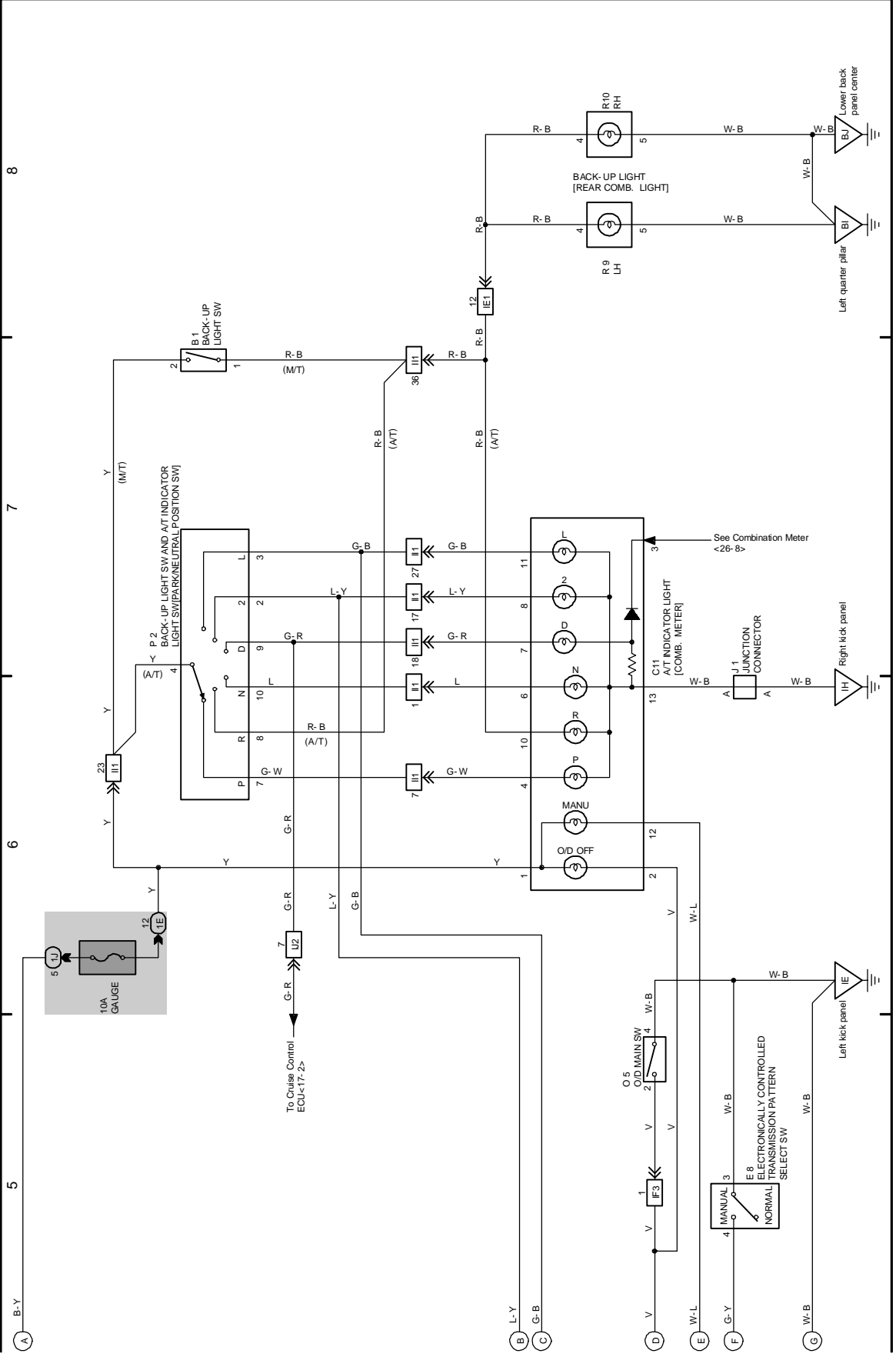
16 SUPRA (Cont' d)



Electronically Controlled Transmission and A/T Indicator

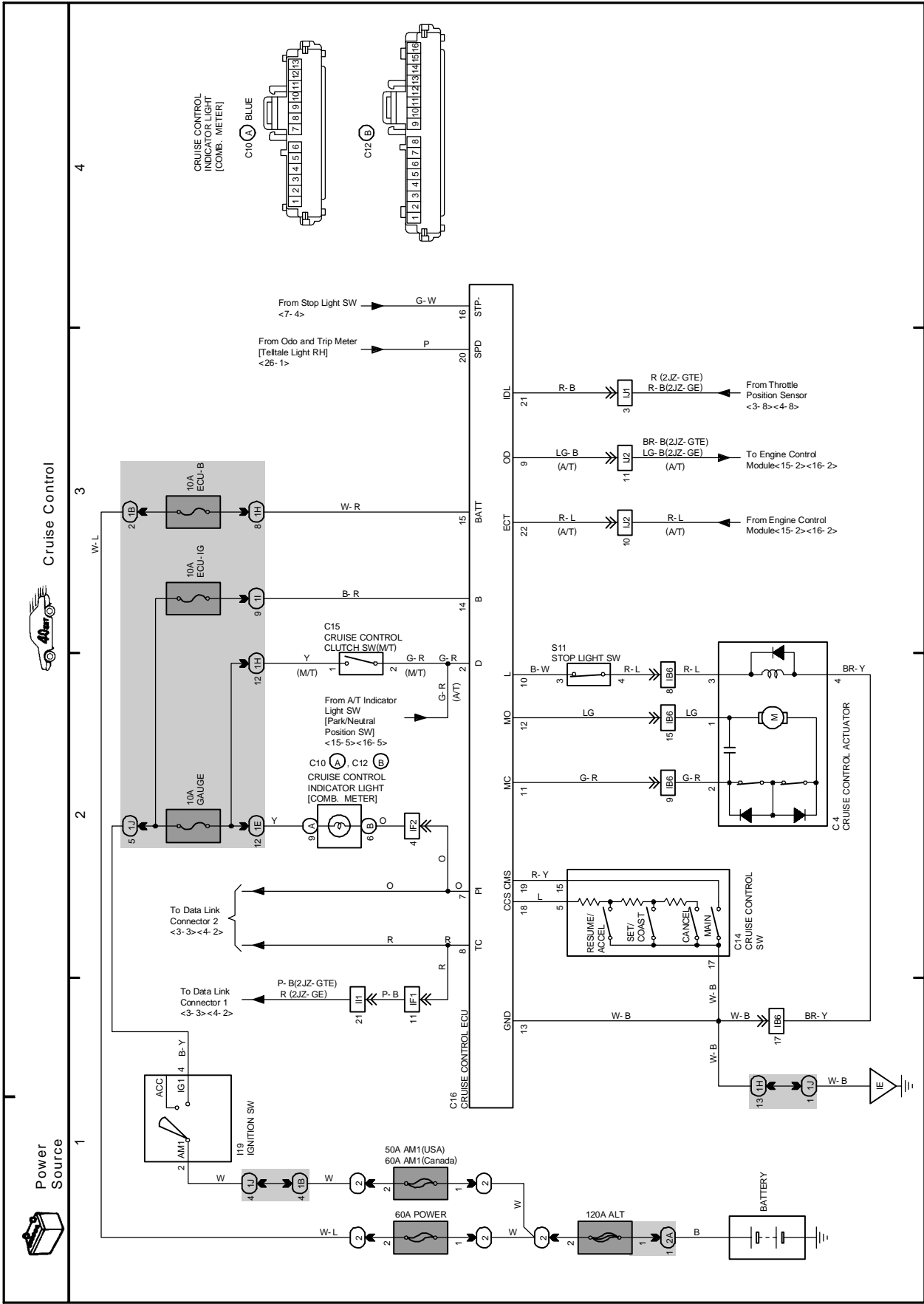


Back-Up Light(2JZ-GE)



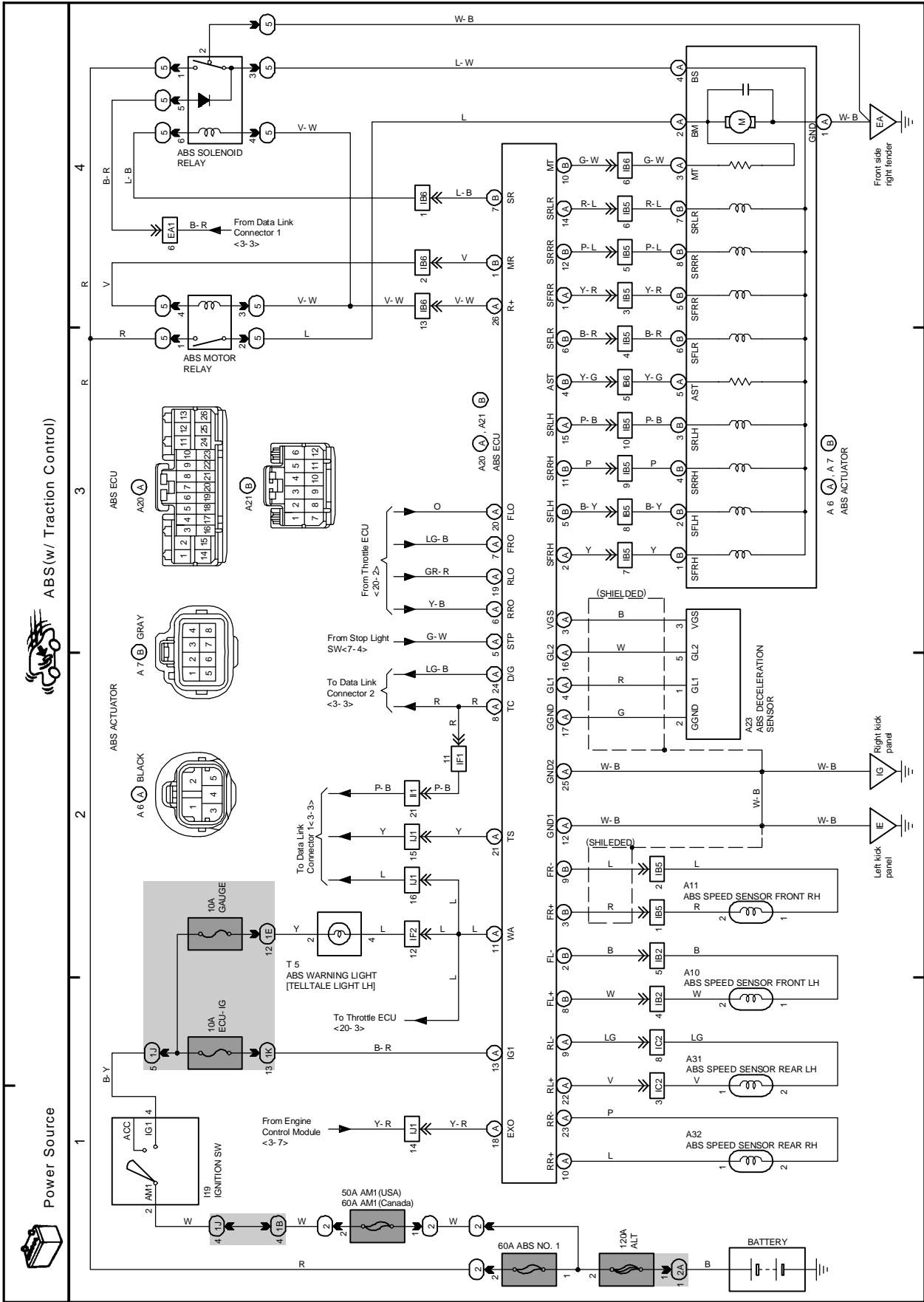
K OVERALL ELECTRICAL WIRING DIAGRAM

17 SUPRA

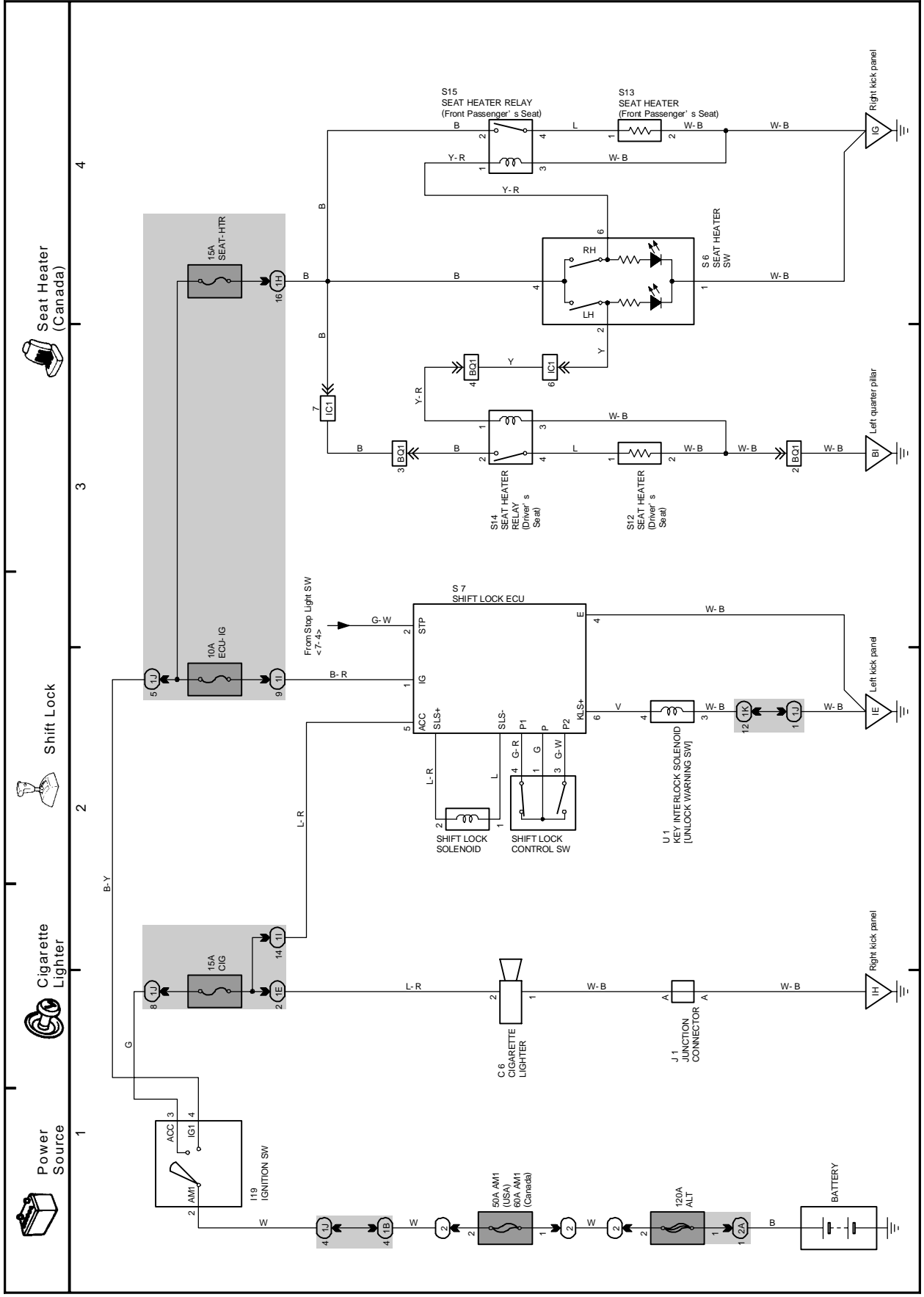


K OVERALL ELECTRICAL WIRING DIAGRAM

19 SUPRA

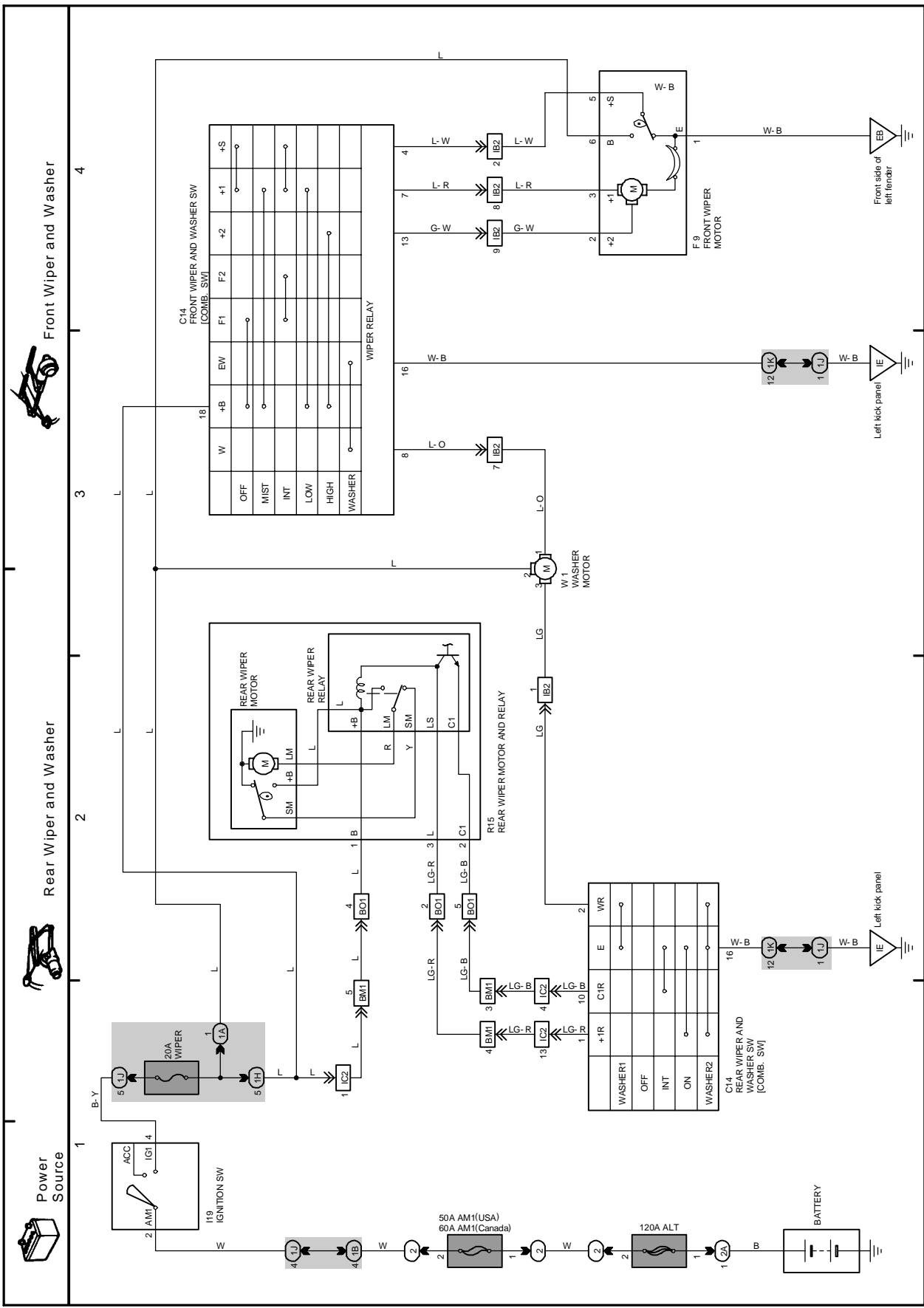


22 SUPRA

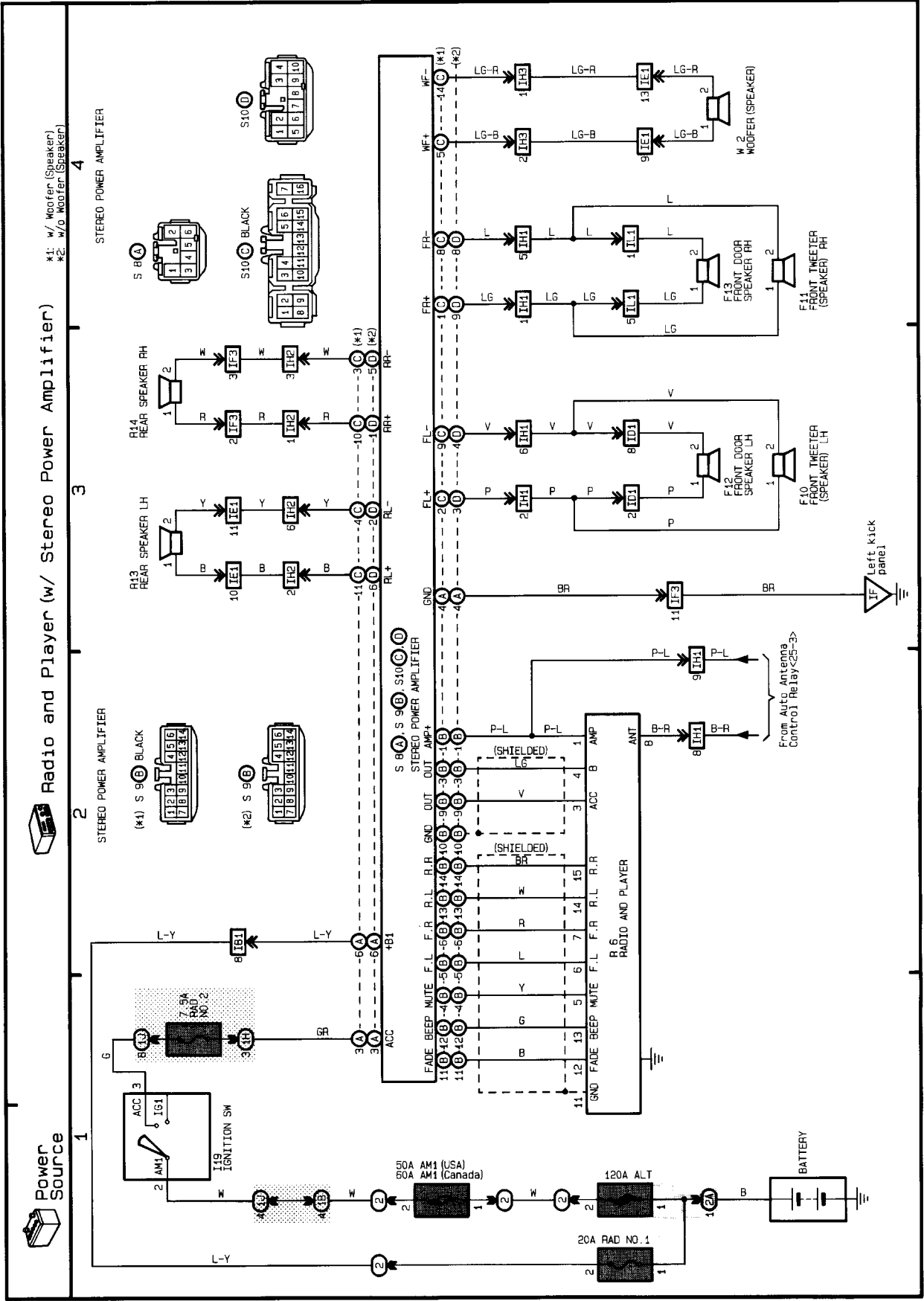


K OVERALL ELECTRICAL WIRING DIAGRAM

23 SUPRA



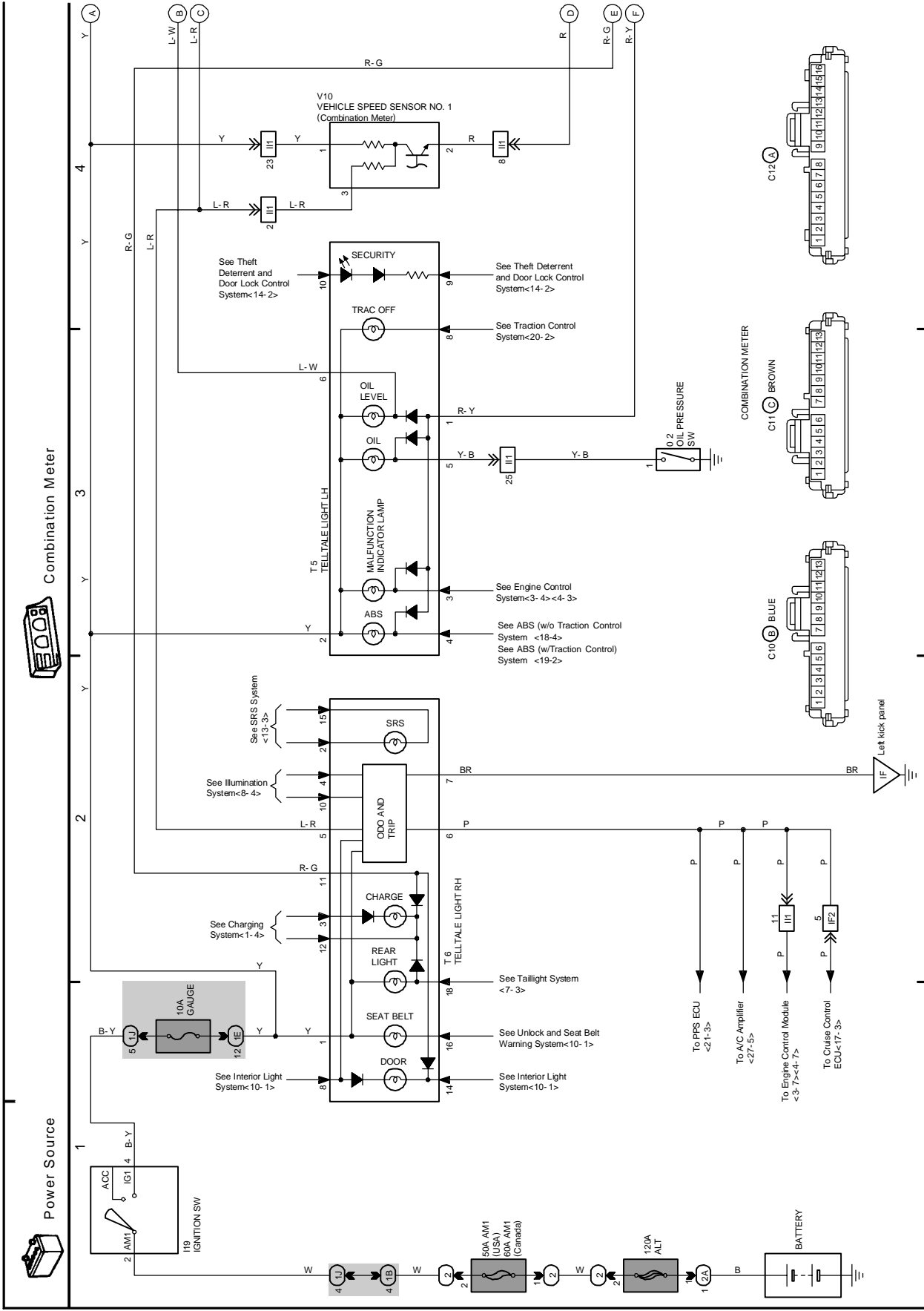
24 SUPRA



K OVERALL ELECTRICAL WIRING DIAGRAM

26 SUPRA

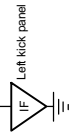
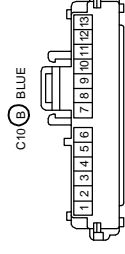
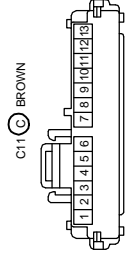
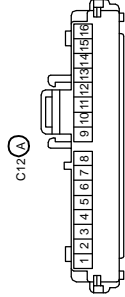
(Cont. next page)



Combination Meter



Power Source

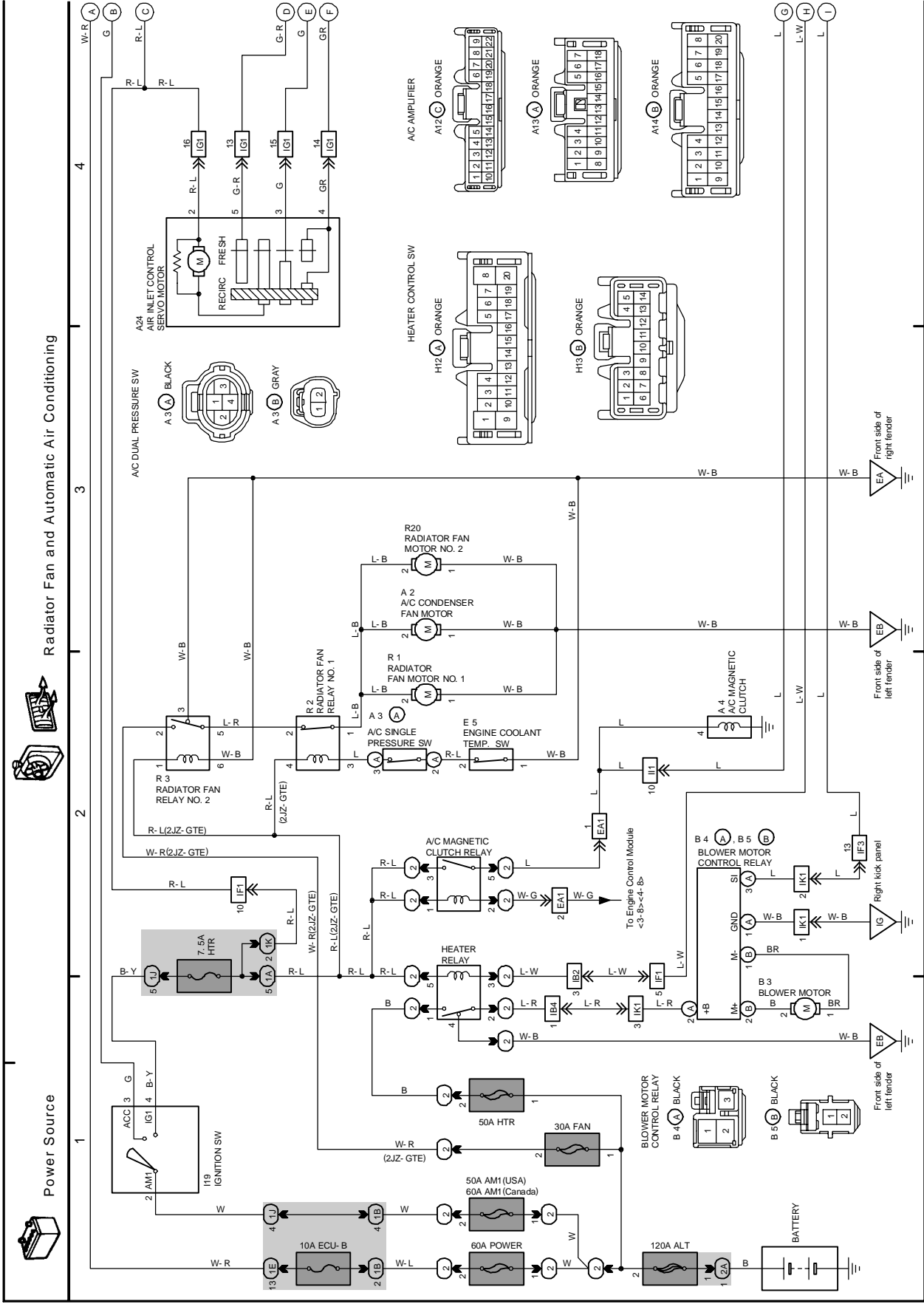


Left kick panel

K OVERALL ELECTRICAL WIRING DIAGRAM

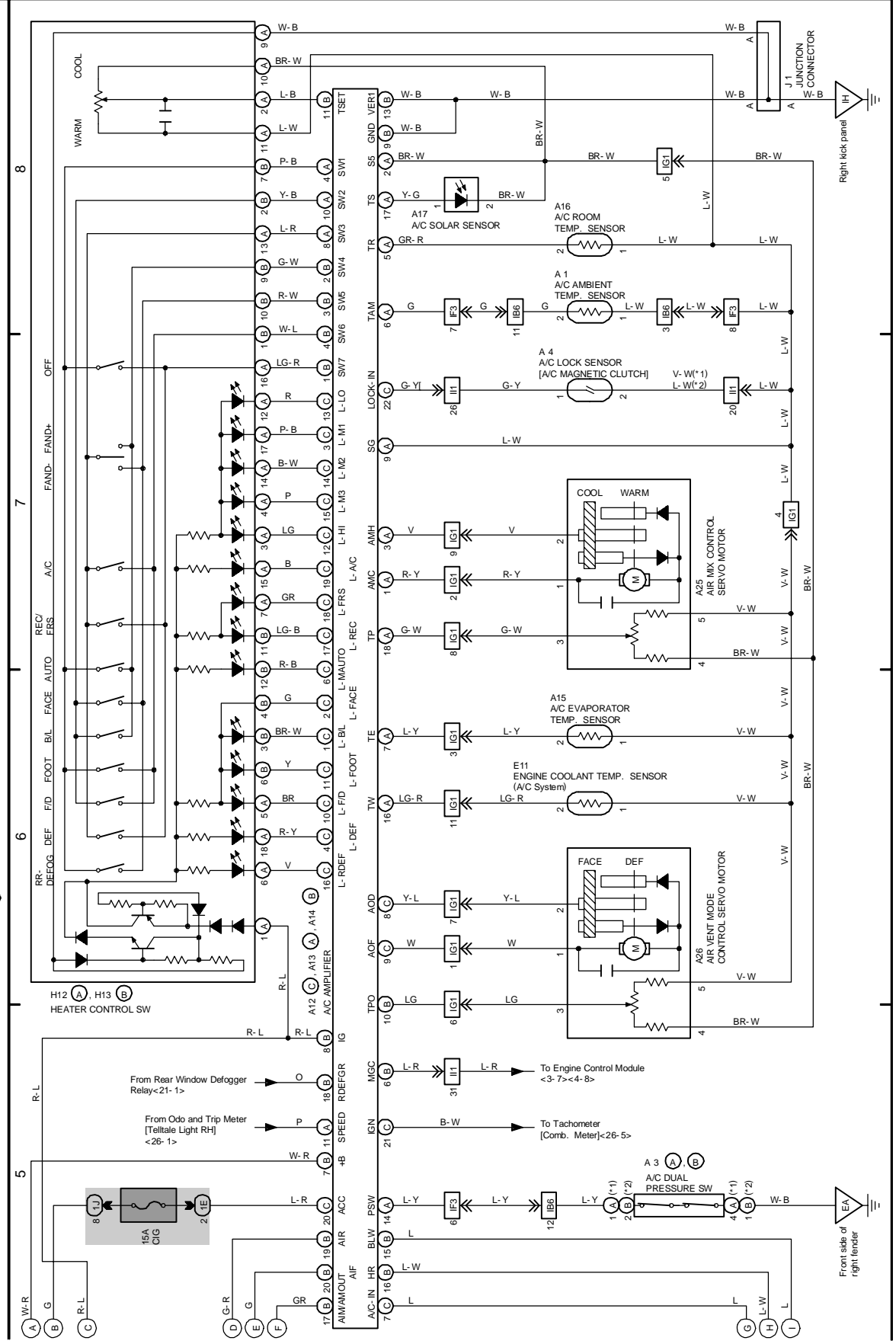
27 SUPRA

(Cont. next page)



Radiator Fan and Automatic Air Conditioning

*1 : 2JZ-GTE
*2 : 2JZ-GE



Front side of right fender

Right kick panel