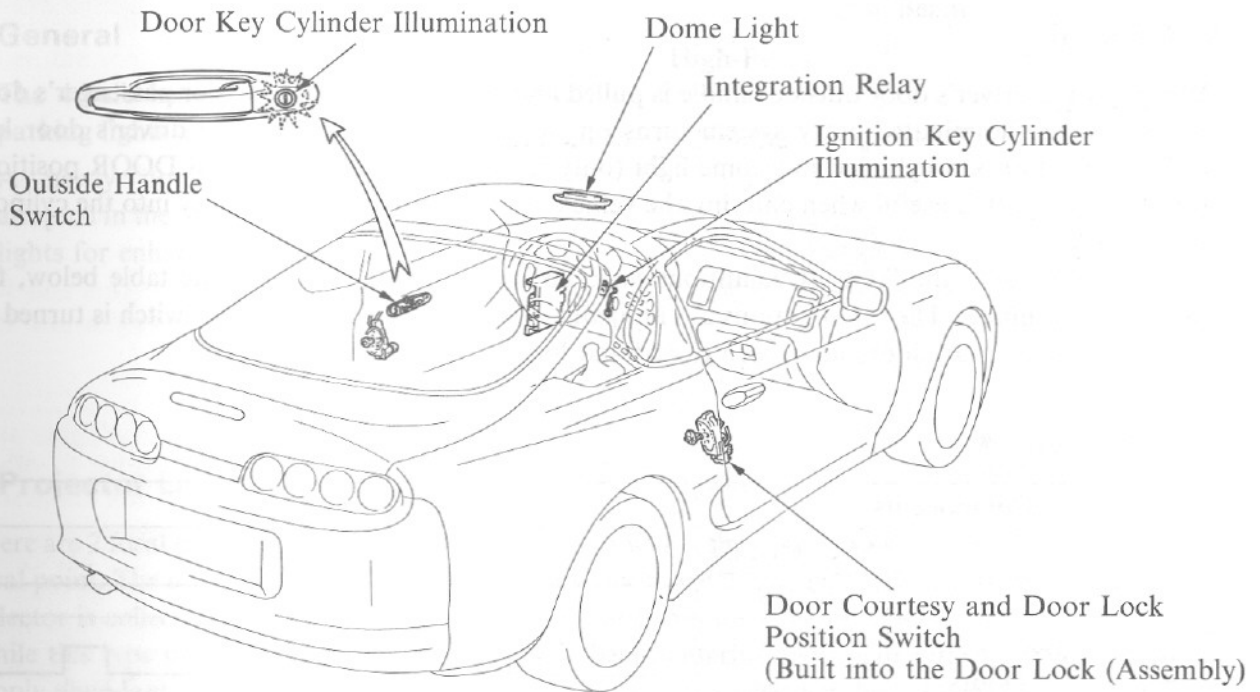
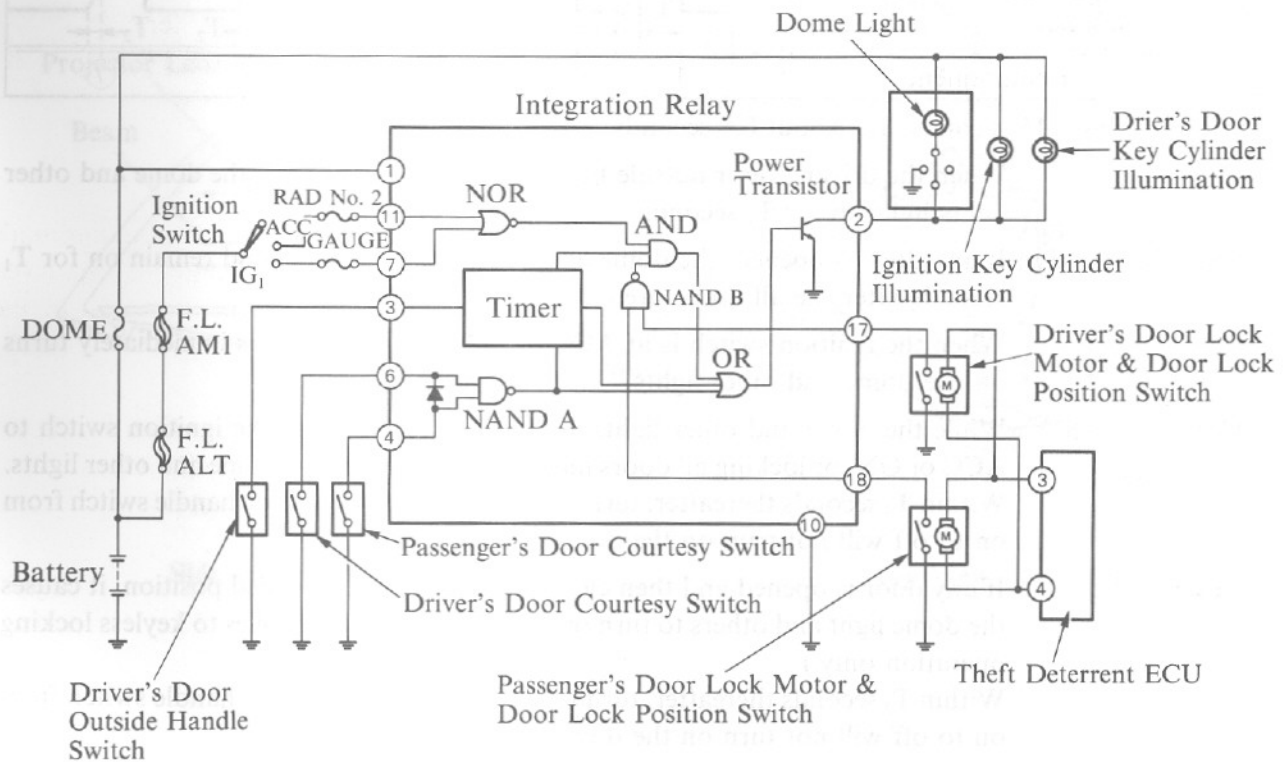


2. Layout of Components



3. Wiring Diagram



NOTE: When input to the timer circuit changes from "1" to "0", "1" is output for about 15 seconds.