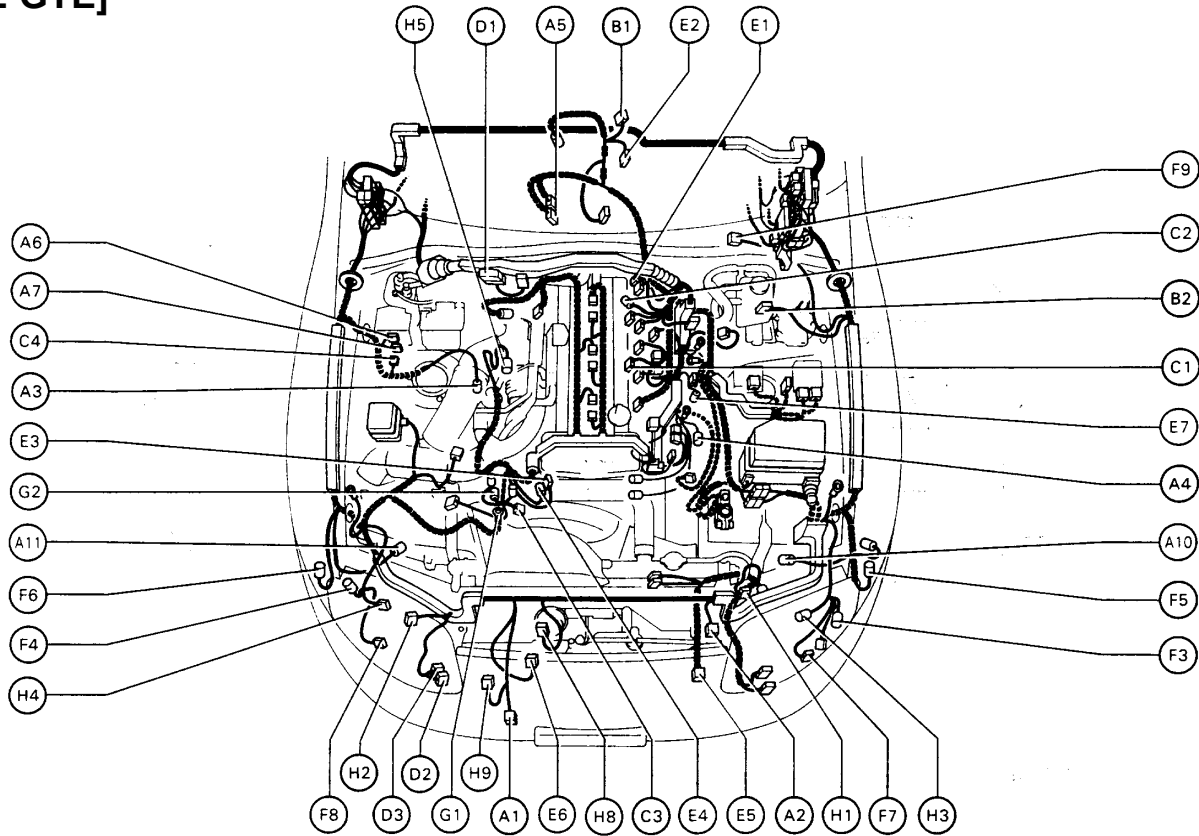


G ELECTRICAL WIRING ROUTING

Position of Parts in Engine Compartment

[2JZ-GTE]



- A 1 A/C Ambient Temp Sensor
- A 2 A/C Condensor Fan Motor
- A 3 A/C Triple Pressure SW
(A/C Dual and Single Pressure SW)
- A 4 A/C Magnetic Clutch and Lock Sensor
- A 5 A/T Fluid Temp. Sensor
- A 6 ABS Actuator
- A 7 ABS Actuator
- A10 ABS Speed Sensor Front LH
- A11 ABS Speed Sensor Front RH

- B 1 Back-Up Light SW (M/T)
- B 2 Brake Fluid Level Warning SW

- C 1 Camshaft Position Sensor No.1
- C 2 Camshaft Position Sensor No.2
- C 3 Crankshaft Position Sensor
- C 4 Cruise Control Actuator

- D 1 Data Link Connector 1
- D 2 Daytime Running Light Relay No.3
- D 3 Daytime Running Light Relay No.3

- E 1 EGR Gas Temp. Sensor
- E 2 Electronically Controlled Transmission Solenoid
- E 3 Engine Coolant Temp. Sensor

- E 4 Engine Coolant Temp. Sender
- E 5 Engine Coolant Temp. SW
- E 6 Engine Hood Courtesy SW
- E 7 Engine Oil Level Sensor

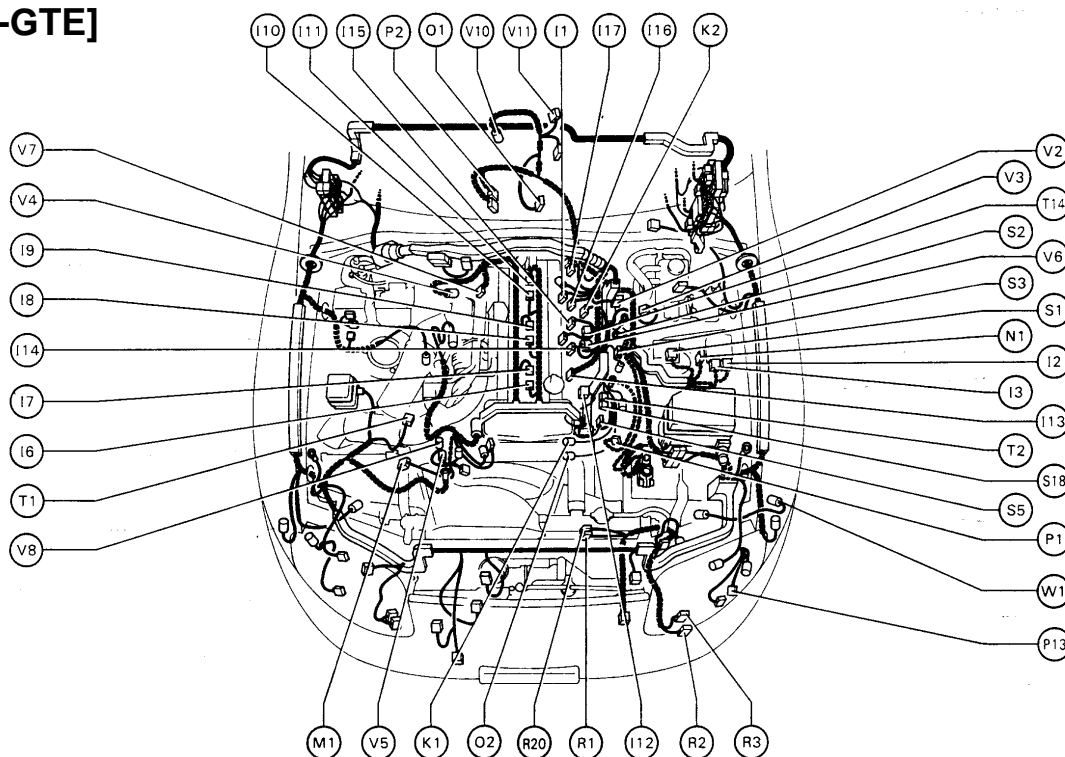
- F 3 Front Fog Light LH
- F 4 Front Fog Light RH
- F 5 Front Side Marker Light LH
- F 6 Front Side Marker Light RH
- F 7 Front Turn Signal Light LH
- F 8 Front Turn Signal Light RH and Parking Light RH
- F 9 Front Wiper Motor

- G 1 Generator
- G 2 Generator

- H 1 Headlight Hi LH
- H 2 Headlight Hi RH
- H 3 Headlight Lo LH
- H 4 Headlight Lo RH
- H 5 Heated Oxygen Sensor (Bank 1 Sensor 1)
- H 8 Horn LH
- H 9 Horn RH

Position of Parts in Engine Compartment

[2JZ-GTE]



I 1 Idle Air Control Valve
 I 2 Igniter
 I 3 Igniter
 I 6 Ignition Coil No.1
 I 7 Ignition Coil No.2
 I 8 Ignition Coil No.3
 I 9 Ignition Coil No.4
 I10 Ignition Coil No.5
 I11 Ignition Coil No.6
 I12 Injector No.1
 I13 Injector No.2
 I14 Injector No.3
 I15 Injector No.4
 I16 Injector No.5
 I17 Injector No.6

K 1 Knock Sensor (on Front Side)
 K 2 Knock Sensor (on Rear Side)

M 1 Mass Air Flow Meter

N 1 Noise Filter

O 1 O/D Direct Clutch Speed Sensor
 O 2 Oil Pressure SW

P 1 PPS Solenoid
 P 2 Park/Neutral Position SW, Back-Up Light SW and
 A/T Indicator Light SW (A/T)
 P13 Parking Light LH

R 1 Radiator Fan Motor No.1
 R 2 Radiator Fan Relay No.1
 R 3 Radiator Fan Relay No.2
 R20 Radiator Fan Motor No.2

S 1 SFI Resistor
 S 2 Starter
 S 3 Starter
 S 5 Sub Throttle Position Sensor
 S18 Sub Throttle Valve Motor

T 1 Theft Deterrent Horn
 T 2 Throttle Position Sensor
 T14 Turbo Pressure Sensor

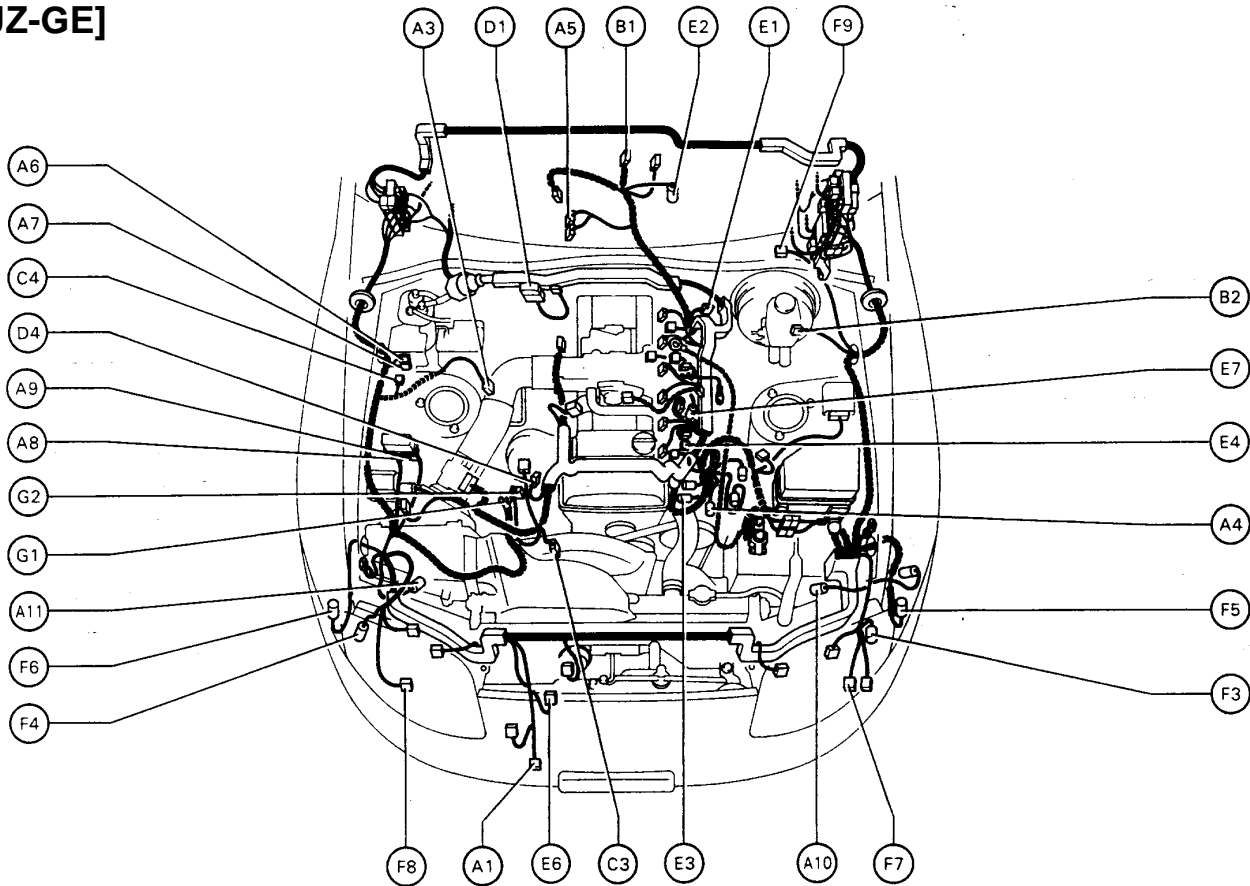
V 2 VSV (EGR)
 V 3 VSV (EVAP)
 V 4 VSV (Exhaust Bypass Valve)
 V 5 VSV (Exhaust Gas Control Valve)
 V 6 VSV (Fuel Pressure Up)
 V 7 VSV (Intake Air Control Valve)
 V 8 VSV (Waste Gate Valve)
 V10 Vehicle Speed Sensor No.1 (Combination Meter)
 V11 Vehicle Speed Sensor No.2 (Electronically
 Controlled Transmission)

W 1 Washer Motor

G ELECTRICAL WIRING ROUTING

Position of Parts in Engine Compartment

[2JZ-GE]



- A 1 A/C Ambient Temp. Sensor
- A 3 A/C Dual Pressure SW
- A 4 A/C Magnetic Clutch and Lock Sensor
- A 5 A/T Fluid Temp. Sensor
- A 6 ABS Actuator
- A 7 ABS Actuator
- A 8 ABS Relay
- A 9 ABS Relay
- A10 ABS Speed Sensor Front LH
- A11 ABS Speed Sensor Front RH

- B 1 Back-Up Light SW (M/T)
- B 2 Brake Fluid Level Warning SW

- C 3 Crankshaft Position Sensor
- C 4 Cruise Control Actuator

- D 1 Data Link Connector 1
- D 4 Distributor

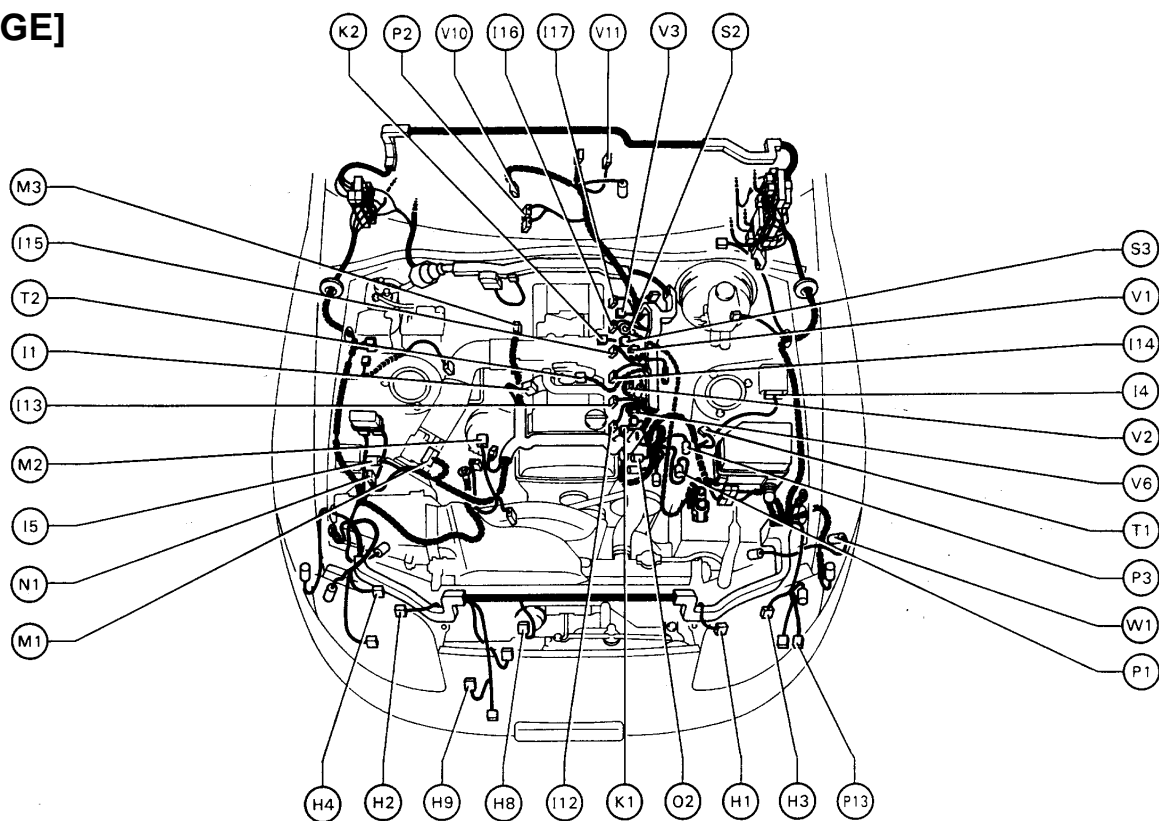
- E 1 EGR Gas Temp. Sensor
- E 2 Electronically Controlled Transmission Solenoid
- E 3 Engine Coolant Temp. Sensor
- E 4 Engine Coolant Temp. Sender
- E 6 Engine Hood Courtesy SW
- E 7 Engine Oil Level Sensor

- F 3 Front Fog Light LH
- F 4 Front Fog Light RH
- F 5 Front Side Marker Light LH
- F 6 Front Side Marker Light RH
- F 7 Front Turn Signal Light LH
- F 8 Front Turn Signal Light RH and Parking Light RH
- F 9 Front Wiper Motor

- G 1 Generator
- G 2 Generator

Position of Parts in Engine Compartment

[2JZ-GE]



H 1 Headlight Hi LH
 H 2 Headlight Hi RH
 H 3 Headlight Lo LH
 H 4 Headlight Lo RH
 H 8 Horn LH
 H 9 Horn RH

I 1 Idle Air Control Valve
 I 4 Igniter
 I 5 Ignition Coil
 I 12 Injector No.1
 I 13 Injector No.2
 I 14 Injector No.3
 I 15 Injector No.4
 I 16 Injector No.5
 I 17 Injector No.6

K 1 Knock Sensor (on Front Side)
 K 2 Knock Sensor (on Rear Side)

M 1 Mass Air Flow Meter
 M 2 Main Heated Oxygen Sensor (Bank 1 Sensor 1)
 M 3 Main Heated Oxygen Sensor (Bank 2 Sensor 1)

N 1 Noise Filter

O 2 Oil Pressure SW

P 1 PPS Solenoid
 P 2 Park/Neutral Position SW, Back-Up Light SW and
 A/T Indicator Light SW (A/T)
 P 3 Power Steering Pressure SW
 P13 Parking Light LH

S 2 Starter
 S 3 Starter

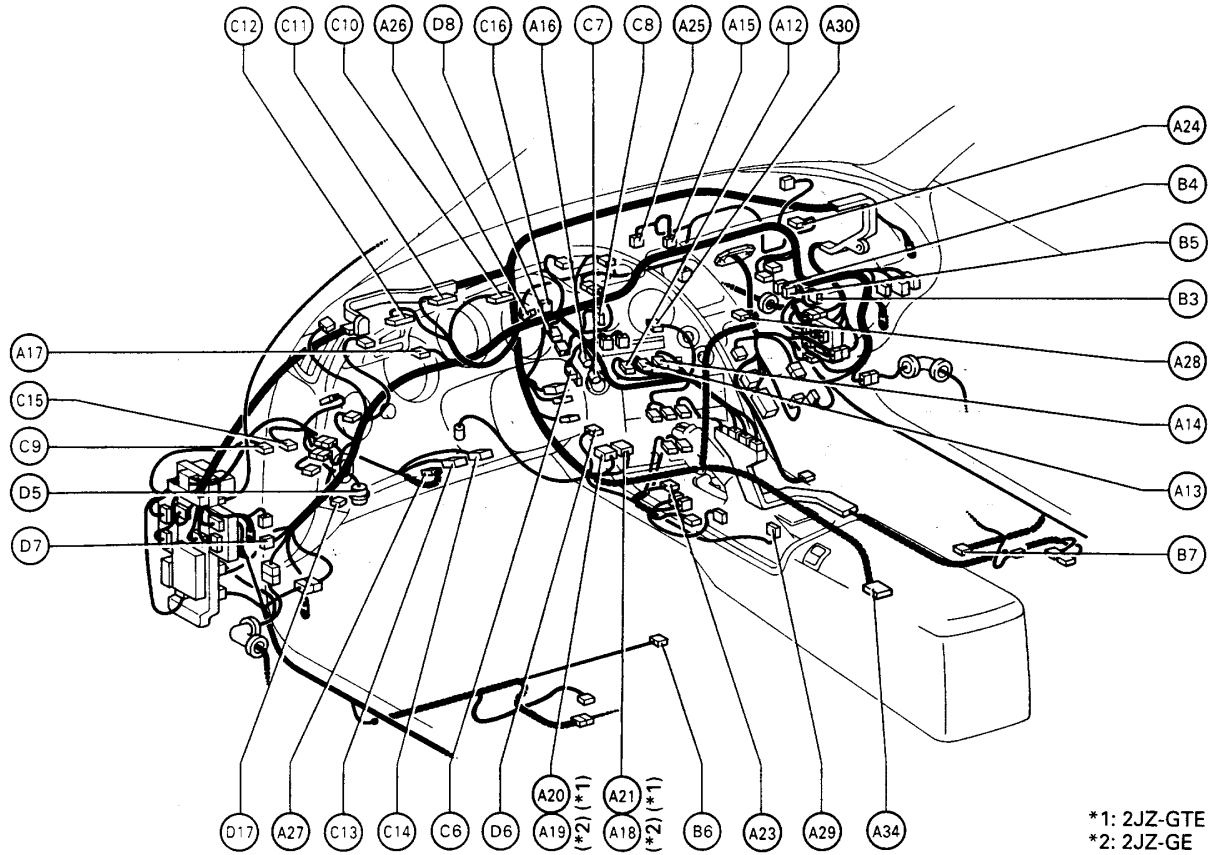
T 1 Theft Deterrent Horn
 T 2 Throttle Position Sensor

V 1 VSV (ACIS)
 V 2 VSV (EGR)
 V 3 VSV (EVAP)
 V 6 VSV (Fuel Pressure Up)
 V10 Vehicle Speed Sensor No.1 (Combination Meter)
 V11 Vehicle Speed Sensor No.2 (Electronically
 Controlled Transmission)

W 1 Washer Motor

G ELECTRICAL WIRING ROUTING

Position of Parts in Instrument Panel



*1: 2JZ-GTE
*2: 2JZ-GE

- A12 A/C Amplifier
- A13 A/C Amplifier
- A14 A/C Amplifier
- A15 A/C Evaporator Temp. Sensor
- A16 A/C Room Temp. Sensor
- A17 A/C Solar Sensor
- A18 ABS ECU
- A19 ABS ECU
- A20 ABS ECU
- A21 ABS ECU
- A23 ABS Deceleration Sensor
- A24 Air Inlet Control Servo Motor
- A25 Air Mix Control Servo Motor
- A26 Air Vent Mode Control Servo Motor
- A27 Airbag Squib (Steering Wheel Pad)
- A28 Airbag Squib (Front Passenger Airbag Assembly)
- A29 Ashtray Illumination
- A30 Auto Antenna Control Relay
- A34 Airbag Sensor

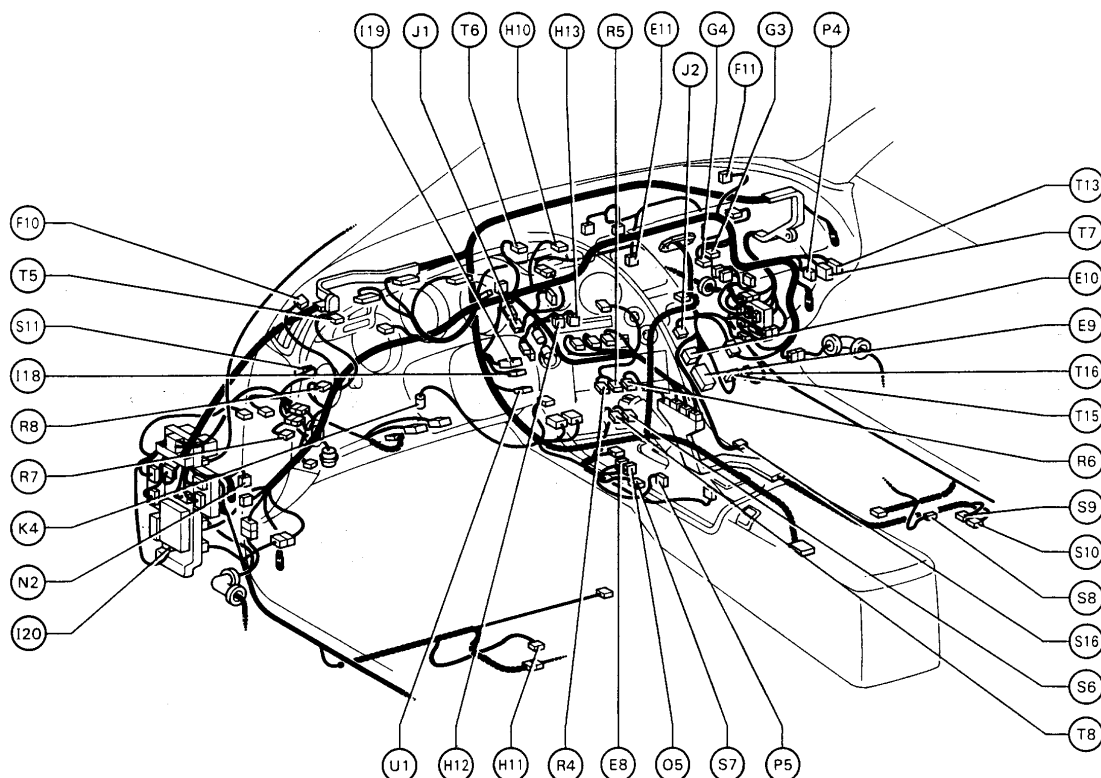
- B 3 Blower Motor
- B 4 Blower Motor Control Relay

- B 5 Blower Motor Control Relay
- B 6 Buckle SW LH
- B 7 Buckle SW RH

- C 6 Cigarette Lighter
- C 7 Cigarette Lighter Illumination
- C 8 Clock
- C 9 Clutch Start SW
- C10 Combination Meter
- C11 Combination Meter
- C12 Combination Meter
- C13 Combination SW
- C14 Combination SW
- C15 Cruise Control Clutch SW
- C16 Cruise Control ECU

- D 5 Data Link Connector 2
- D 6 Daytime Running Light Relay (Main)
- D 7 Diode (Interior Light)
- D 8 Diode (Idle-Up)
- D17 Data Link Connector 3

Position of Parts in Instrument Panel



E 8 Electronically Controlled Transmission Pattern Select SW

E 9 Engine Control Module

E10 Engine Control Module

E11 Engine Coolant Temp. Sensor (A/C System)

F10 Front Tweeter (Speaker) LH

F11 Front Tweeter (Speaker) RH

G 3 Glove Box Light

G 4 Glove Box Light SW

H10 Hazard SW

H11 Heated Oxygen Sensor (Bank 1 Sensor 2)

H12 Heater Control SW

H13 Heater Control SW

I18 Ignition Key Cylinder Light

I19 Ignition SW

I20 Integration Relay

J 1 Junction Connector

J 2 Junction Connector

K 4 Kick Down SW

N 2 Noise Filter

O 5 O/D Main SW and A/T Indicator Illumination

P 4 PPS ECU

P 5 Parking Brake SW

R 4 Radio and Player (w/o Stereo Power Amplifier)

R 5 Radio and Player (w/o Stereo Power Amplifier)

R 6 Radio and Player (w/ Stereo Power Amplifier)

R 7 Remote Control Mirror SW

R 8 Rheostat

S 6 Seat Heater SW

S 7 Shift Lock ECU

S 8 Stereo Power Amplifier

S 9 Stereo Power Amplifier

S10 Stereo Power Amplifier

S11 Stop Light SW

S16 Sub Heated Oxygen Sensor (Bank 1 Sensor 2)

T 5 Telltale Light LH

T 6 Telltale Light RH

T 7 Theft Deterrent and Door Lock Control ECU

T 8 Traction Control SW

T13 Theft Deterrent and Door Lock Control ECU

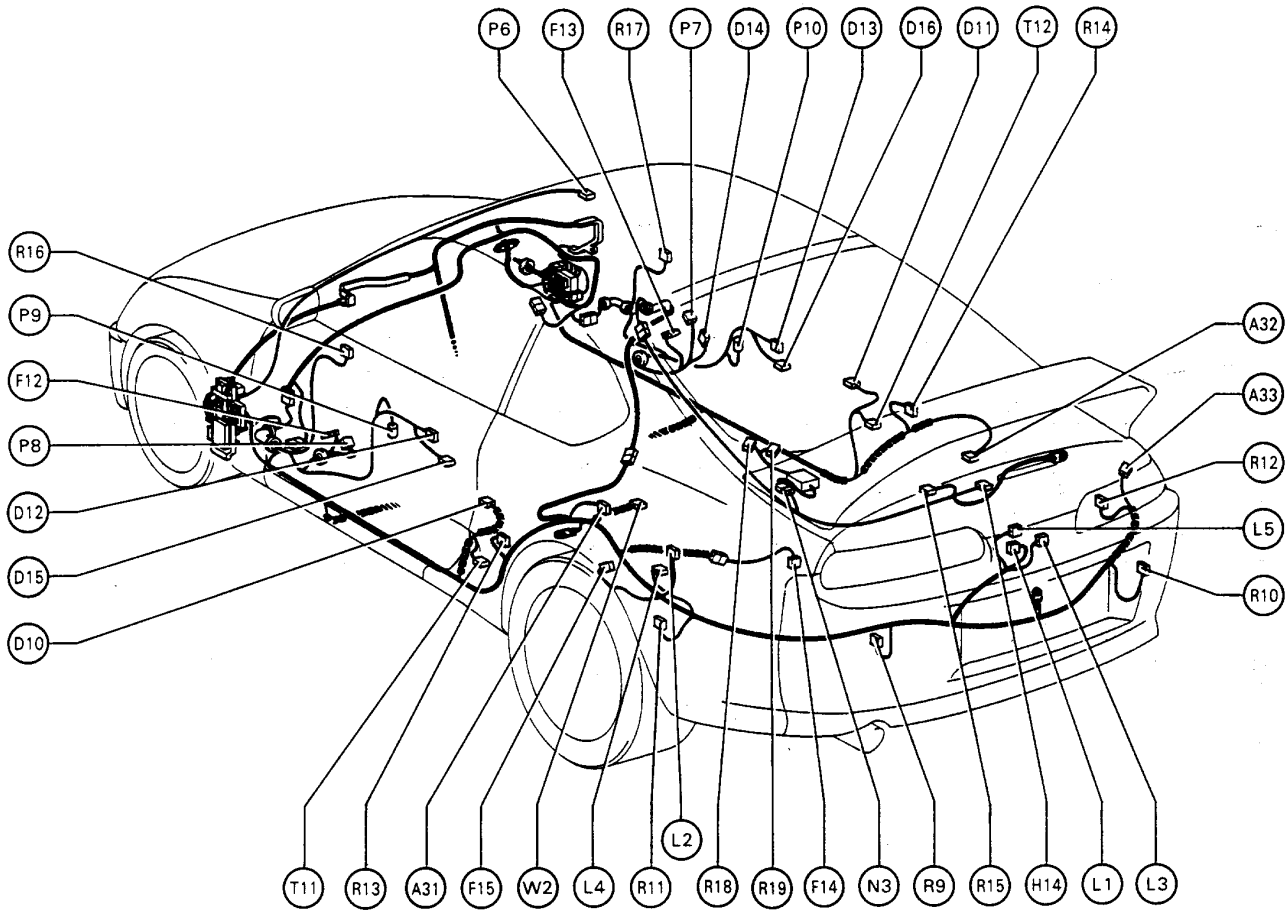
T15 Throttle ECU

T16 Throttle ECU

U 1 Unlock Warning SW

G ELECTRICAL WIRING ROUTING

Position of Parts in Body



A31 ABS Speed Sensor Rear LH
 A32 ABS Speed Sensor Rear RH
 A33 Auto Antenna Motor

D10 Door Courtesy SW LH
 D11 Door Courtesy SW RH
 D12 Door Key Lock and Unlock SW LH
 D13 Door Key Lock and Unlock SW RH
 D14 Door Lock Control SW RH
 D15 Door Lock Motor and Door Unlock Detection SW LH
 D16 Door Lock Motor and Door Unlock Detection SW RH

F12 Front Door Speaker LH
 F13 Front Door Speaker RH
 F14 Fuel Pump and Sender
 F15 Fuel Pump ECU

H14 High Mounted Stop Light

L 1 License Plate Light
 L 2 Light Failure Sensor
 L 3 Luggage Compartment Key Unlock SW
 L 4 Luggage Compartment Light
 L 5 Luggage Compartment Light SW

N 3 Noise Filter

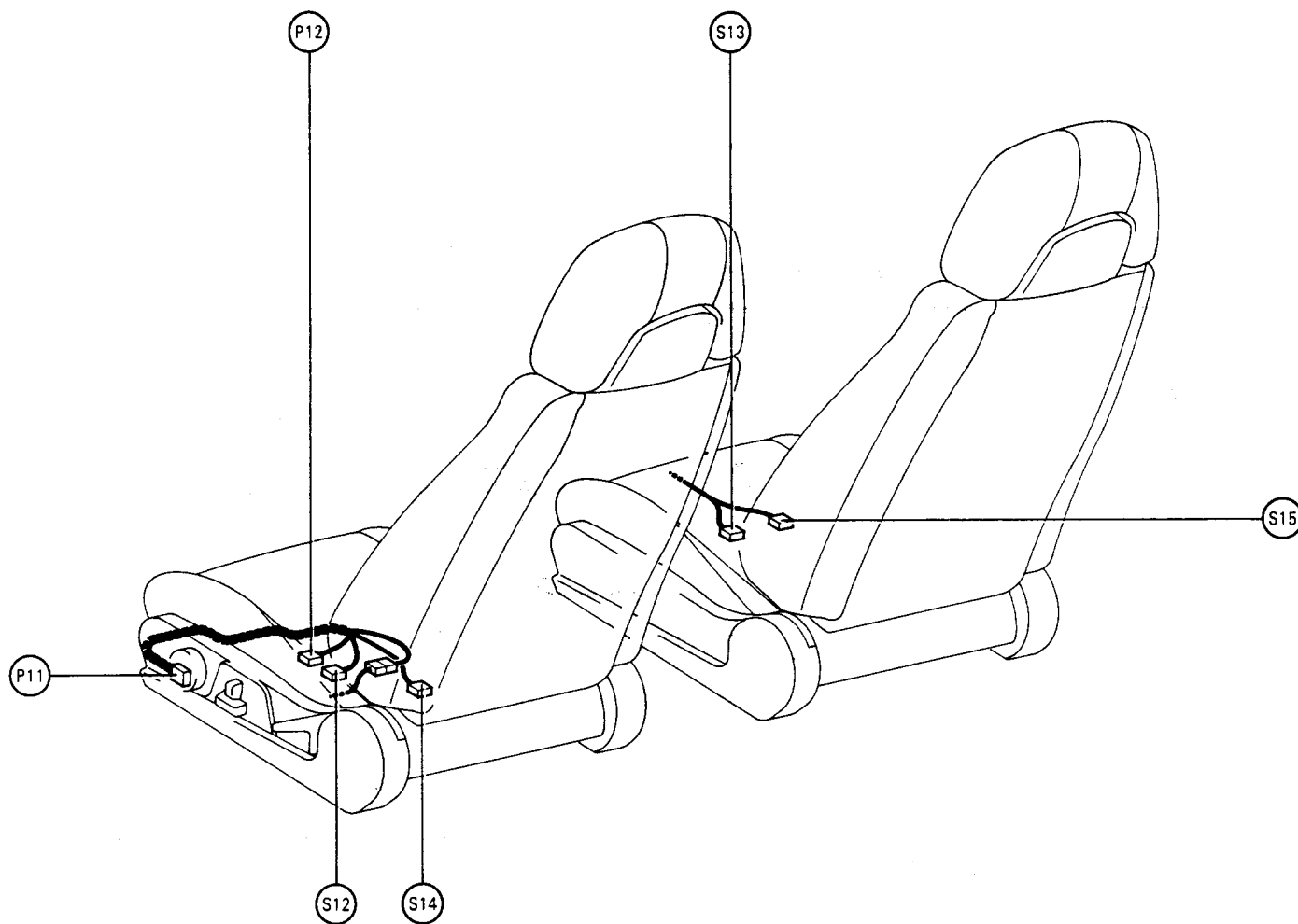
P 6 Personal Light
 P 7 Power Window Control SW RH
 P 8 Power Window Master SW and Door Lock Control SW LH
 P 9 Power Window Motor LH
 P10 Power Window Motor RH

R 9 Rear Combination Light LH
 R10 Rear Combination Light RH
 R11 Rear Side Marker Light LH
 R12 Rear Side Marker Light RH
 R13 Rear Speaker LH
 R14 Rear Speaker RH
 R15 Rear Wiper Motor and Relay
 R16 Remote Control Mirror and Mirror Heater LH
 R17 Remote Control Mirror and Mirror Heater RH
 R18 Rear Window Defogger (+)
 R19 Rear Window Defogger (-)

T11 Tension Reducer Solenoid LH
 T12 Tension Reducer Solenoid RH

W2 Woofer (Speaker)

Position of Parts in Seat



P11 Power Seat Control SW (Driver's Seat)
P12 Power Seat Motor (Driver's Seat Slide Control)
S12 Seat Heater (Driver's Seat)

S13 Seat Heater (Front Passenger's Seat)
S14 Seat Heater Relay (Driver's Seat)
S15 Seat Heater Relay (Front Passenger's Seat)