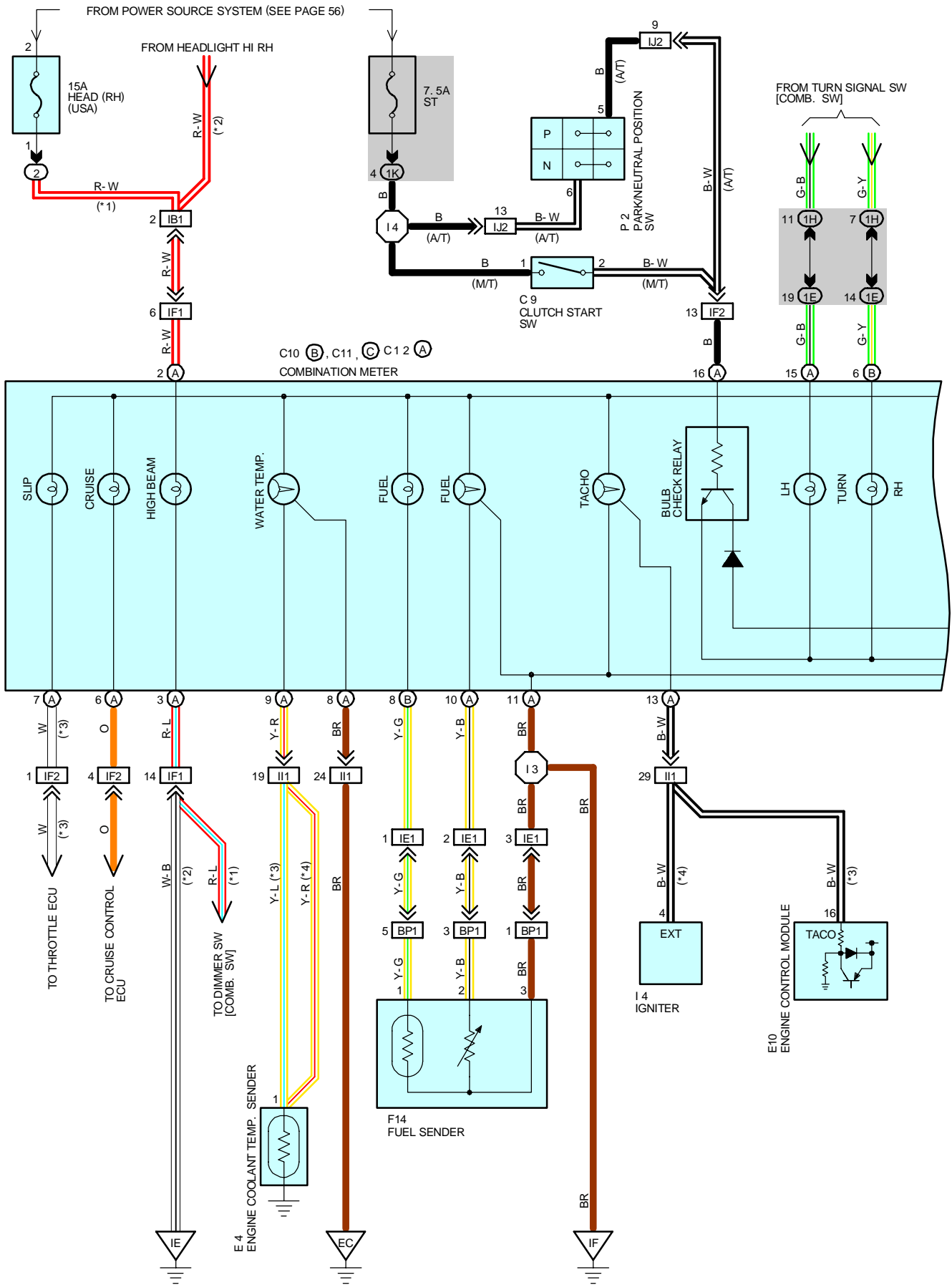
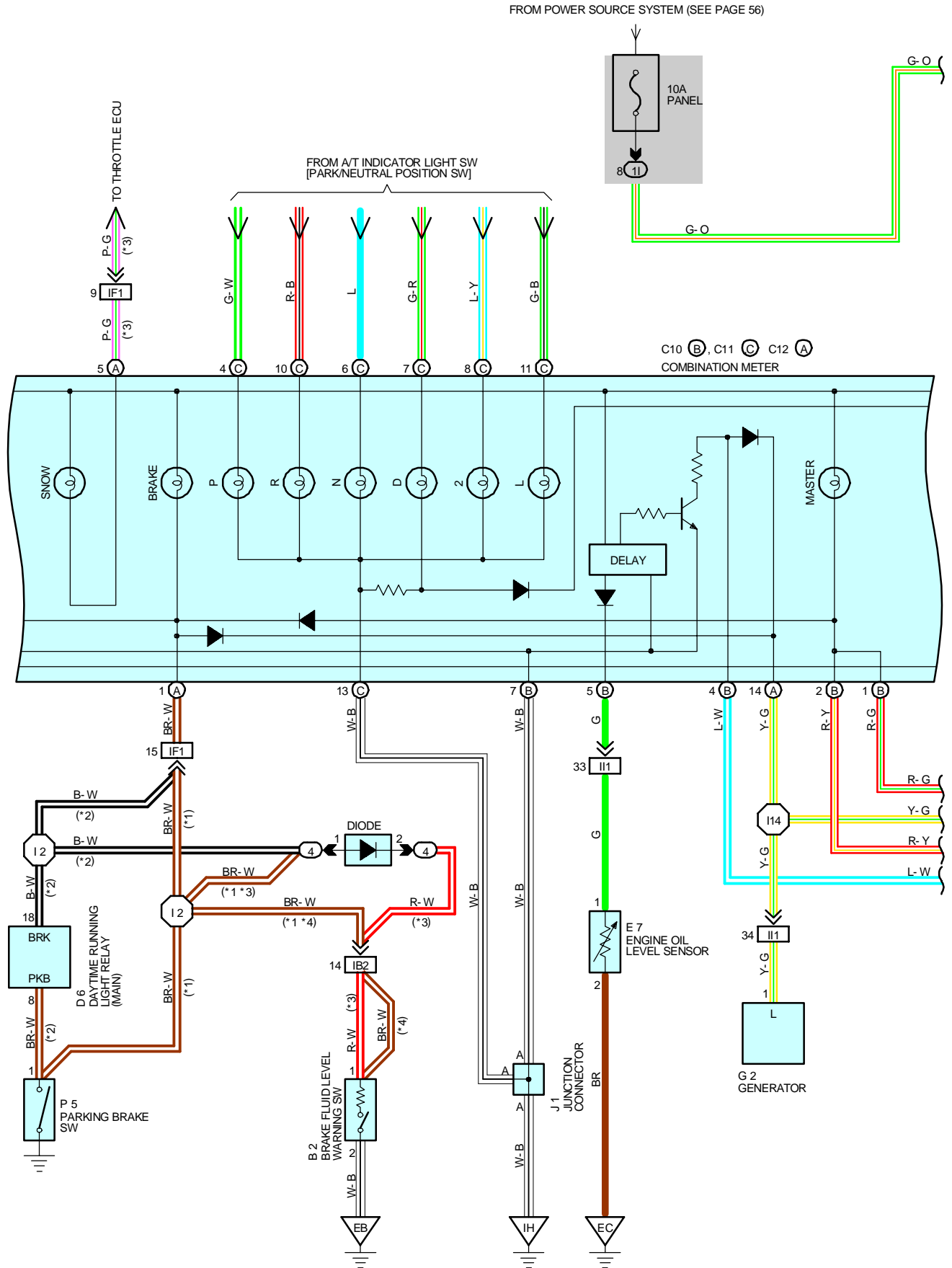




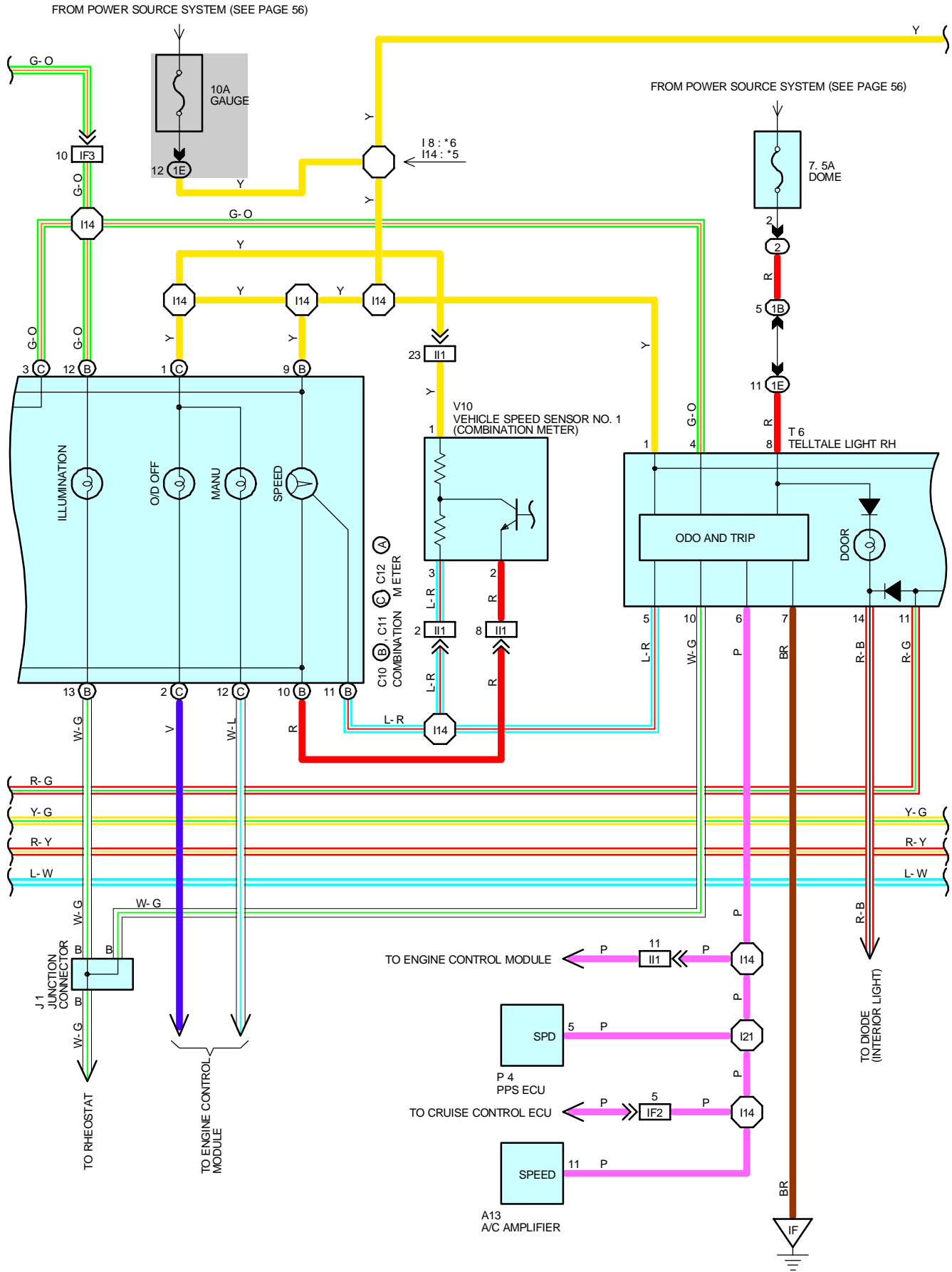
COMBINATION METER

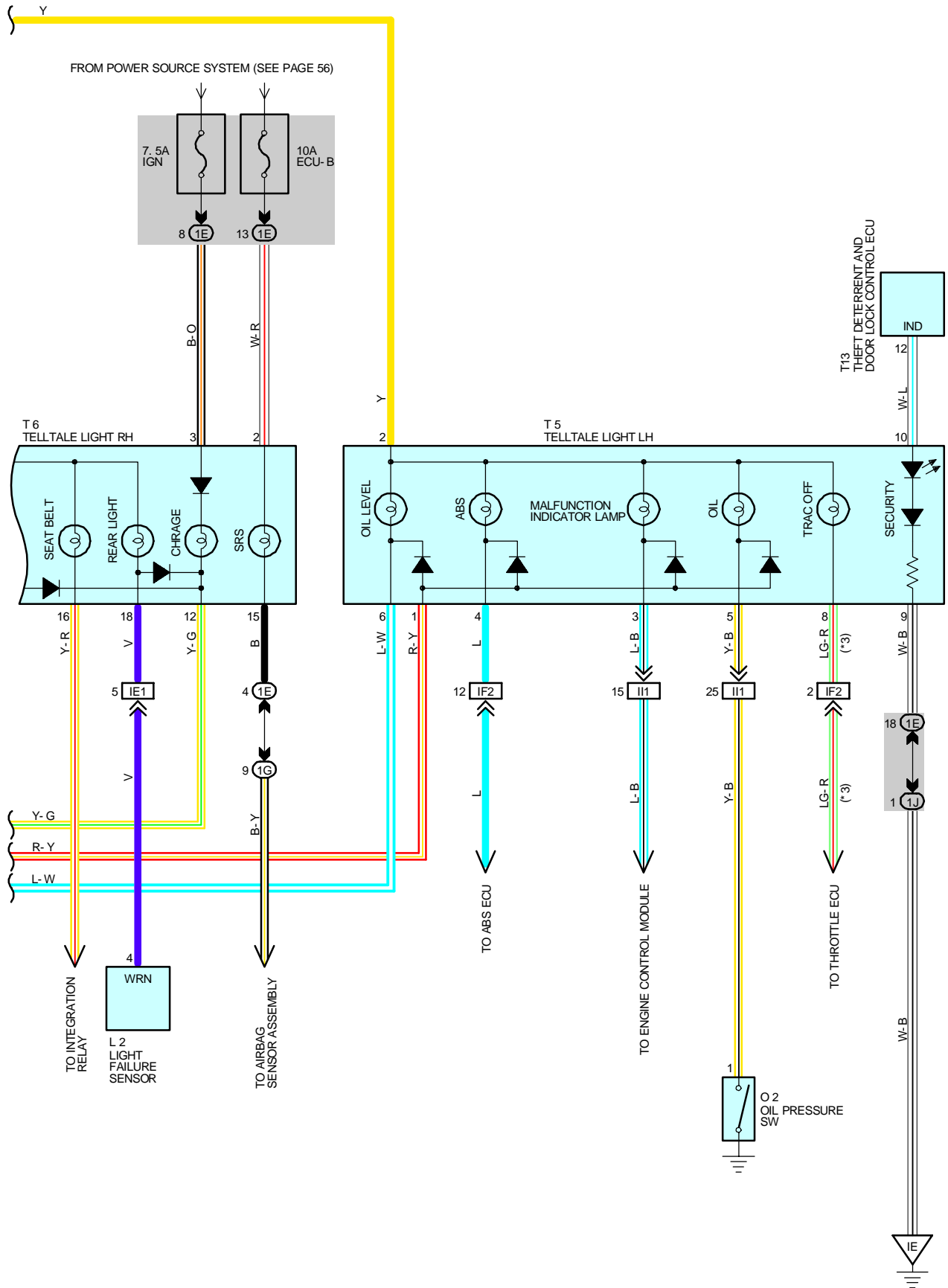






COMBINATION METER







COMBINATION METER

SERVICE HINTS

B2 BRAKE FLUID LEVEL WARNING SW

1-2 : CLOSED WITH THE FLOAT DOWN

P5 PARKING BRAKE SW

1-GROUND : CLOSED WITH THE PARKING BRAKE LEVER PULLED UP

O2 OIL PRESSURE SW

1-GROUND : CLOSED WITH THE OIL PRESSURE ABOVE APPROX. **20 KPA (2.8 PSI, 0.2 KG/CM²)**

E4 ENGINE COOLANT TEMP. SENDER

1-GROUND : APPROX. **160-240 Ω (50°C, 122°F)**
APPROX. **17.1-20.4 Ω (120°C, 288°F)**

E7 ENGINE OIL LEVEL SENSOR

1-2 : CLOSED WITH THE FLOAT UP AND THE ENGINE OIL TEMP. AT BELOW APPROX. **55°C (131°F)**
OPEN WITH THE FLOAT DOWN AND THE ENGINE OIL TEMP. AT BELOW APPROX. **60°C (140°F)**

F14 FUEL SENDER

1-2 : APPROX. **3 Ω** AT FUEL FULL
APPROX. **110 Ω** AT FUEL EMPTY

C10 (B), C12 (A) COMBINATION METER

(B) 9-GROUND : APPROX. **12 VOLTS** WITH THE IGNITION SW AT **ON** POSITION

(A) 16-GROUND : APPROX. **12 VOLTS** WITH THE IGNITION SW AT **ST** POSITION AND THE SHIFT LEVER AT **P** OR **N** POSITION (A/T)
12 VOLTS WITH THE IGNITION SW AT **ST** POSITION AND THE CLUTCH PEDAL DEPRESSED (M/T)

(A) 8-GROUND : ALWAYS CONTINUITY

(A) 11-GROUND : ALWAYS CONTINUITY

○ : PARTS LOCATION

CODE	SEE PAGE	CODE	SEE PAGE	CODE	SEE PAGE
A13	28	E7	24 (2JZ-GTE)	O2	27 (2JZ-GE)
B2	24 (2JZ-GTE)		26 (2JZ-GE)	P2	25 (2JZ-GTE)
	26 (2JZ-GE)	E10	29		27 (2JZ-GE)
C9	28	F14	30	P4	29
C10	B 28	G2	24 (2JZ-GTE)	P5	29
C11	C 28		26 (2JZ-GE)	T5	29
C12	A 28	I4	27	T6	29
D6	28	J1	29	T13	29
E4	24 (2JZ-GTE)	L2	30	V10	25 (2JZ-GTE)
	26 (2JZ-GE)	O2	25 (2JZ-GTE)		27 (2JZ-GE)

○ : RELAY BLOCKS

CODE	SEE PAGE	RELAY BLOCKS (RELAY BLOCK LOCATION)
2	22	R/B NO. 2 (ENGINE COMPARTMENT LEFT)
4	23	R/B NO. 4 (LEFT KICK PANEL)

○ : JUNCTION BLOCK AND WIRE HARNESS CONNECTOR

CODE	SEE PAGE	JUNCTION BLOCK AND WIRE HARNESS (CONNECTOR LOCATION)
1B	20	ENGINE ROOM MAIN WIRE AND J/B NO. 1 (LEFT KICK PANEL)
1E	20	INSTRUMENT PANEL WIRE AND J/B NO. 1 (LEFT KICK PANEL)
1G	20	COWL WIRE AND J/B NO. 1 (LEFT KICK PANEL)
1H		
1I		
1J		
1K		

□ : CONNECTOR JOINING WIRE HARNESS AND WIRE HARNESS

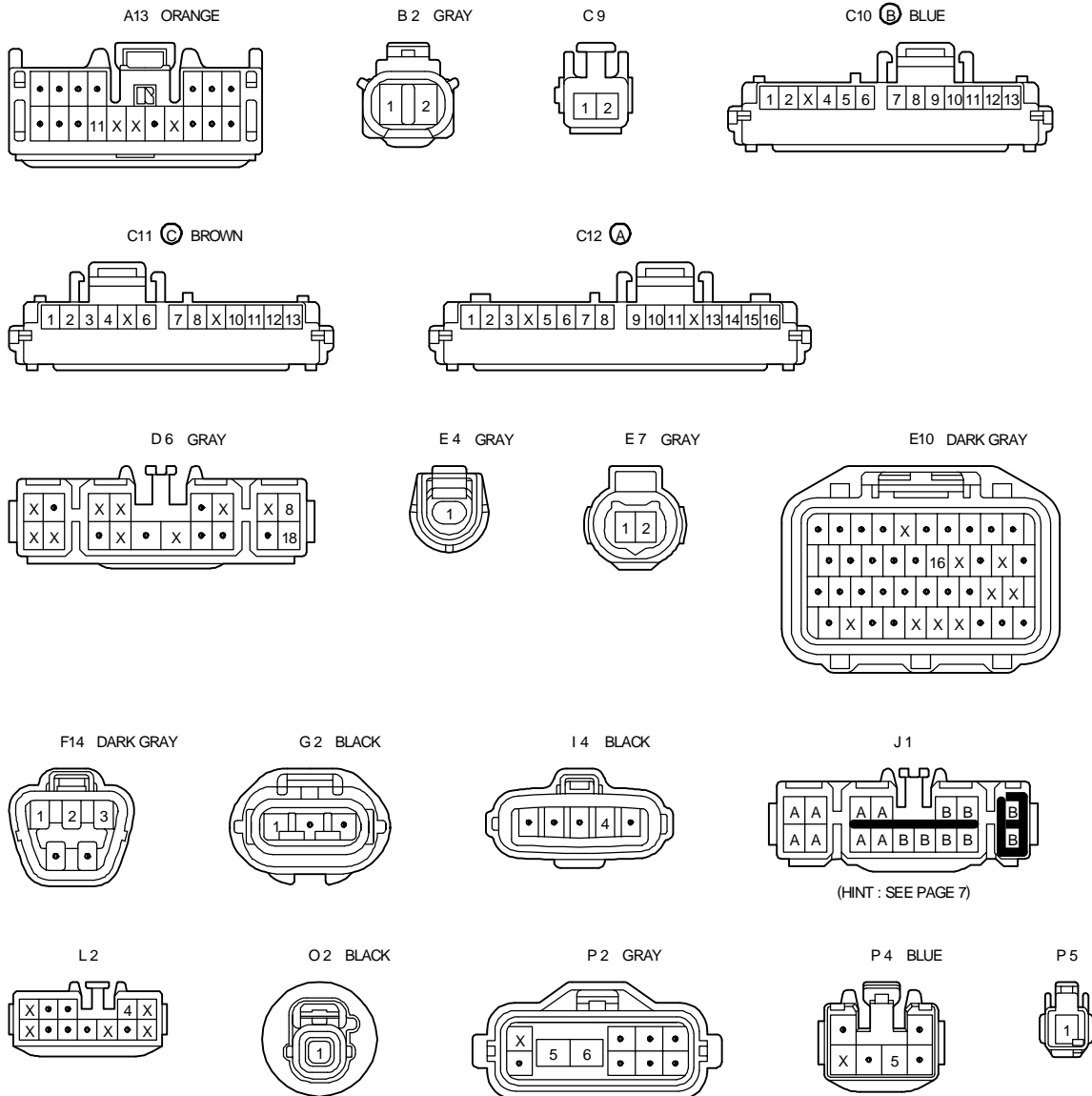
CODE	SEE PAGE	JOINING WIRE HARNESS AND WIRE HARNESS (CONNECTOR LOCATION)
IB1	36	ENGINE ROOM MAIN WIRE AND COWL WIRE (LEFT KICK PANEL)
IB2		
IE1	36	INSTRUMENT PANEL WIRE AND FLOOR NO. 2 WIRE (LEFT KICK PANEL)
IF1	36	INSTRUMENT PANEL WIRE AND COWL WIRE (INSTRUMENT PANEL REINFORCEMENT LH)
IF2		
IF3	36	INSTRUMENT PANEL WIRE AND COWL WIRE (RIGHT KICK PANEL)
II1	38	ENGINE WIRE AND INSTRUMENT PANEL WIRE (RIGHT KICK PANEL)
IJ2	38	ENGINE WIRE COWL WIRE (RIGHT KICK PANEL)
BP1	40	FUEL GAUGE WIRE AND FLOOR NO. 2 WIRE (LUGGAGE ROOM FRONT LH)

▽ : GROUND POINTS

CODE	SEE PAGE	GROUND POINTS LOCATION
EB	32 (2JZ-GTE)	FRONT SIDE OF LEFT FENDER
	34 (2JZ-GE)	
EC	32 (2JZ-GTE)	FRONT SIDE OF INTAKE MANIFOLD
	34 (2JZ-GE)	
IE	36	LEFT KICK PANEL
IF		
IH	36	RIGHT KICK PANEL

○ : SPLICE POINTS

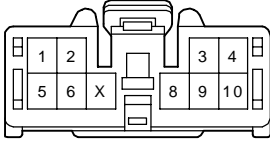
CODE	SEE PAGE	WIRE HARNESS WITH SPLICE POINTS	CODE	SEE PAGE	WIRE HARNESS WITH SPLICE POINTS
I2	38	COWL WIRE	I8	38	INSTRUMENT PANEL WIRE
I3	38	INSTRUMENT PANEL WIRE	I14		
I4	38	COWL WIRE	I21		



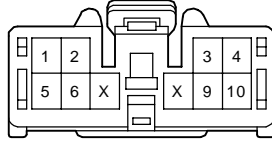


COMBINATION METER

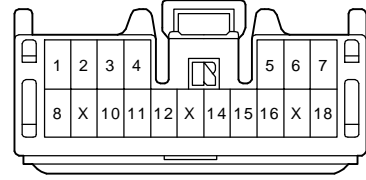
(2JZ-GTE) T 5



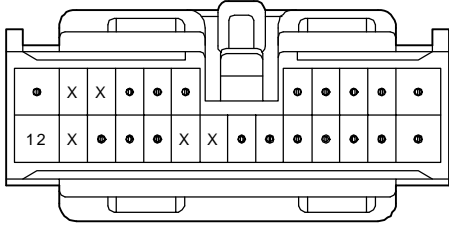
(2JZ-GE) T 5



T 6



T13 ORANGE



V10 BLACK

