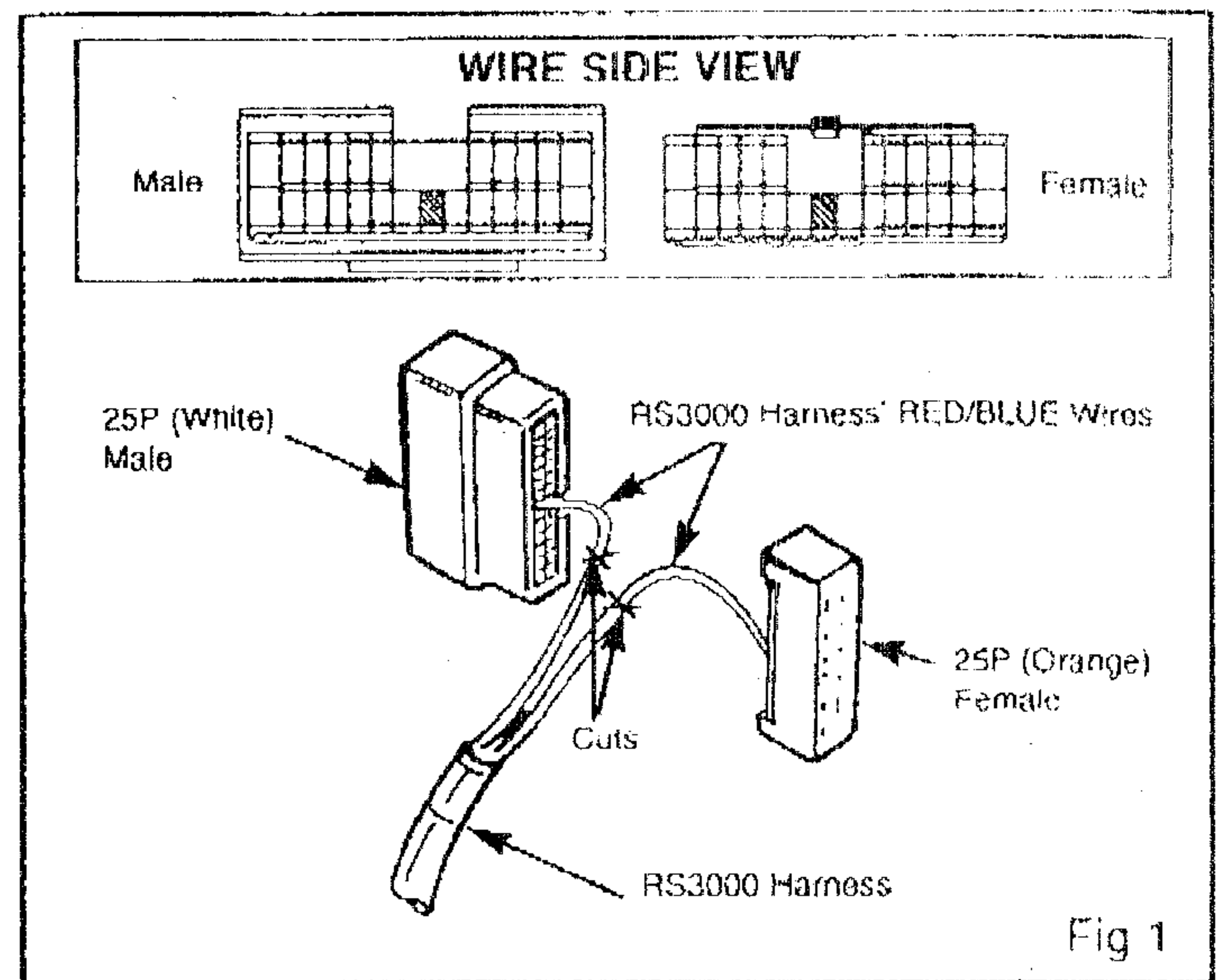
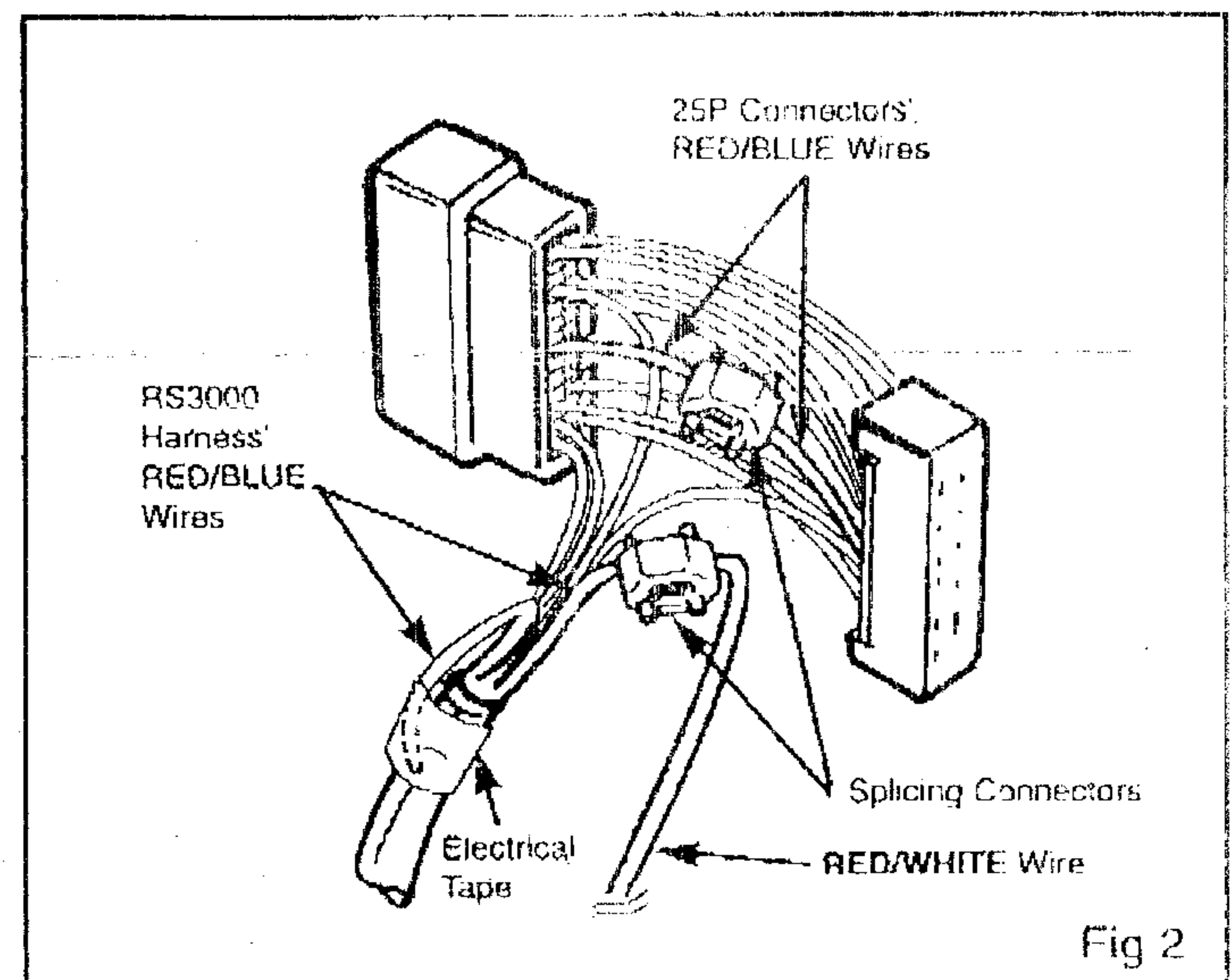


MODIFICATION PROCEDURE FOR 1997 SUPRA RS3000 WIRE HARNESS

- (1) A) Locate the white 25P male and orange 25P female (terminals) connectors from the RS3000 harness. Fig 1
- B) Turn the white male (terminals) connector toward you so the wires are facing you and the tab slot is on top. Fig 1
- C) Locate the RED/BLUE wire on the bottom row, eighth space from the left. Cut the wire approximately four inches from the connector. Fig 1
- D) Turn the orange female (terminals) connector so the wires are facing you and the tab is on top. Fig 1
- E) Locate the RED/BLUE wire in the bottom row, seventh space from the left. Cut the wire approximately four inches from the connector. Fig 1



- (2) A) Using a supplied splicing connector, attach the 25P connectors' RED/BLUE wires to each other. Fig 2
- B) Cut one RED/BLUE wire approximately 1/2" from the harness. Using electrical tape, secure the wire to the harness. Fig 2
- C) Using a supplied splicing connector, attach the supplied RED/WHITE wire to the remaining RED/BLUE wire. Fig 2



- (3) A) Route the RED/WHITE wire back down the harness to the point where the RED wire branches off. Fig 3
- B) Secure the RED/WHITE wire to the RS3000 harness with the three supplied medium wire ties as shown. Fig 3

