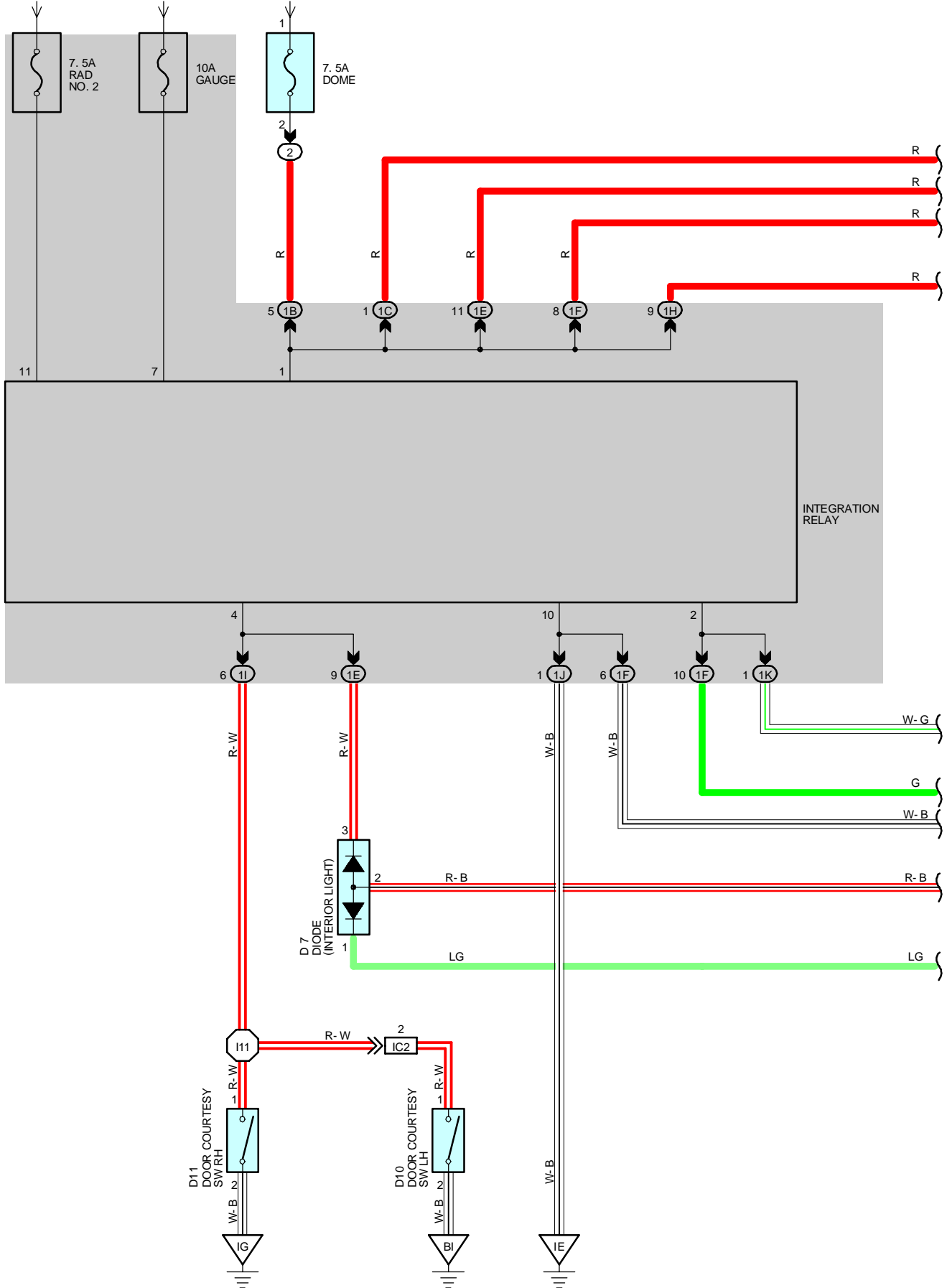
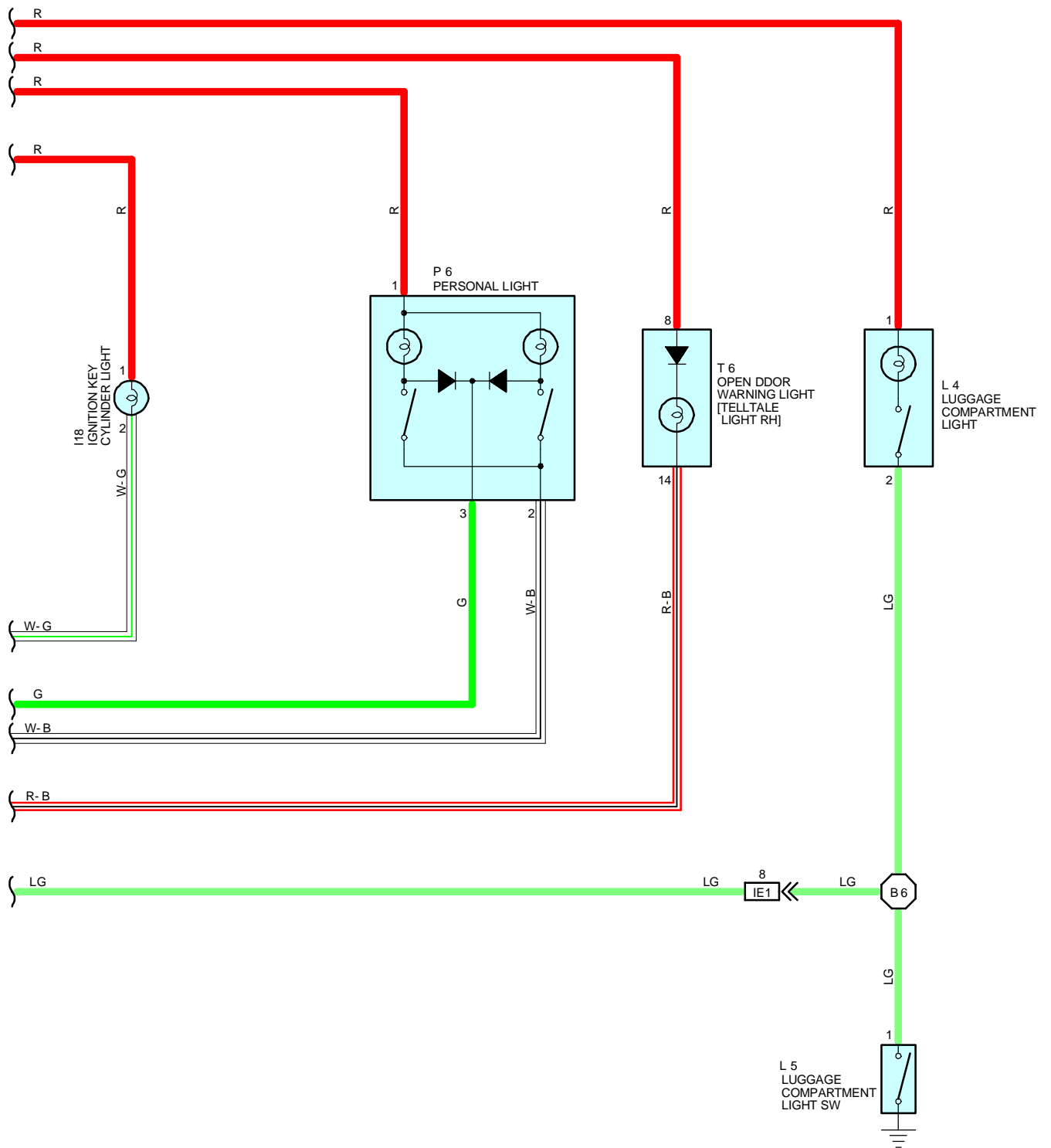




INTERIOR LIGHT

FROM POWER SOURCE SYSTEM (SEE PAGE 56)







INTERIOR LIGHT

SERVICE HINTS

INTERGRATION RELAY (J/B NO. 1)

1-GROUND : ALWAYS APPROX. 12 VOLTS

4-GROUND : CONTINUITY WITH THE RH DOOR OPEN OR THE LH DOOR OPEN

D10, D11 DOOR COURTESY SW LH, RH

1-2 : CLOSED WITH THE DOOR OPEN

L 5 LUGGAGE COMPARTMENT LIGHT SW

1-GROUND : CLOSED WITH THE LUGGAGE COMPARTMENT DOOR OPEN

○ : PARTS LOCATION

CODE	SEE PAGE	CODE	SEE PAGE	CODE	SEE PAGE
D 7	28	I18	29	P 6	30
D10	30	L 4	30	T 6	29
D11	30	L 5	30		

○ : RELAY BLOCKS

CODE	SEE PAGE	RELAY BLOCKS (RELAY BLOCK LOCATION)
2	22	R/B NO. 2 (ENGINE COMPARTMENT LEFT)

○ : JUNCTION BLOCK AND WIRE HARNESS CONNECTOR

CODE	SEE PAGE	JUNCTION BLOCK AND WIRE HARNESS (CONNECTOR LOCATION)
1B	20	ENGINE ROOM MAIN WIRE AND J/B NO. 1 (LEFT KICK PANEL)
1C	20	FLOOR NO. 2 WIRE AND J/B NO. 1 (LEFT KICK PANEL)
1D	20	FRONT DOOR LH WIRE AND J/B NO. 1 (LEFT KICK PANEL)
1E	20	INSTRUMENT PANEL WIRE AND J/B NO. 1 (LEFT KICK PANEL)
1F	20	ROOF WIRE AND J/B NO. 1 (LEFT KICK PANEL)
1H	20	COWL WIRE AND J/B NO. 1 (LEFT KICK PANEL)
1I		
1J		
1K		

□ : CONNECTOR JOINING WIRE HARNESS AND WIRE HARNESS

CODE	SEE PAGE	JOINING WIRE HARNESS AND WIRE HARNESS (CONNECTOR LOCATION)
IC2	36	FLOOR NO. 2 WIRE AND COWL WIRE (LEFT KICK PANEL)
IE1	36	INSTRUMENT PANEL WIRE AND J/B NO. 1 (LEFT KICK PANEL)

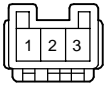
▽ : GROUND POINTS

CODE	SEE PAGE	GROUND POINTS LOCATION
IE	36	LEFT KICK PANEL
IG	36	RIGHT KICK PANEL
BI	40	LEFT QUARTER PILLAR

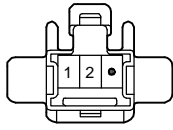
○ : SPLICE POINTS

CODE	SEE PAGE	WIRE HARNESS WITH SPLICE POINTS	CODE	SEE PAGE	WIRE HARNESS WITH SPLICE POINTS
I11	38	COWL WIRE	B 6	40	FLOOR NO. 2 WIRE

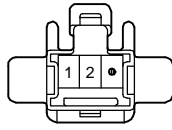
D 7



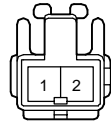
D10



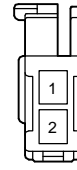
D11



I18 BLUE



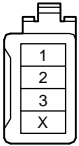
L 4



L 5 GRAY



P 6



T 6

