

DISASSEMBLY

1. REMOVE DUST DEFLECTOR

Using a screwdriver, remove the dust deflector.

2. REMOVE AXLE HUB FROM AXLE CARRIER

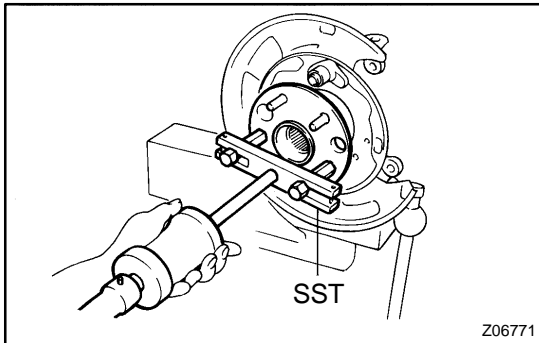
(a) Mount the axle carrier in a vise.

HINT:

Use a set of soft jaws in the vise to protect the axle carrier.

NOTICE:

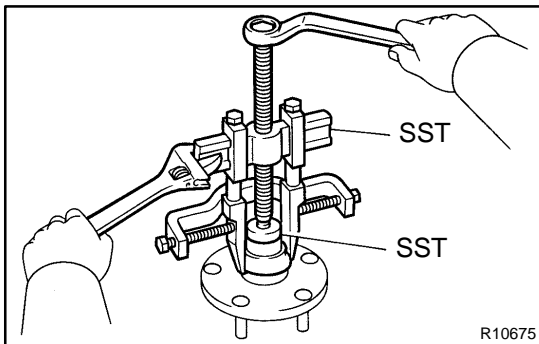
Do not tighten the vise too tight.



(b) Using SST, remove the axle hub.

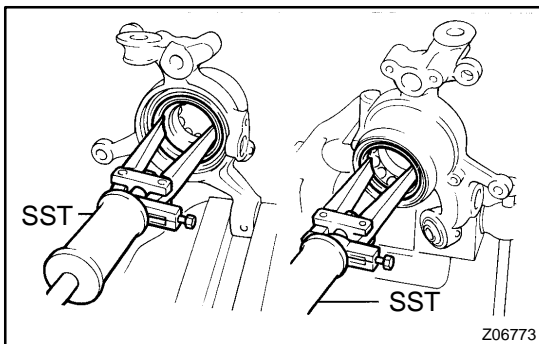
SST 09520-00031

(c) Remove the backing plate.



(d) Using SST, remove the outside inner race from the axle hub.

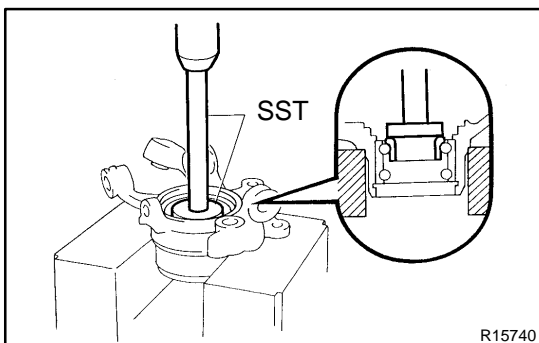
SST 09608-00081, 09950-40010 (09951-04010, 09952-04010, 09953-04020, 09954-04010, 09955-04010, 09957-04010, 09958-04010)



3. REMOVE OIL SEALS

Using SST, remove the inner and outer oil seals.

SST 09308-00010



4. REMOVE BEARING

(a) Using snap ring pliers, remove the snap ring.

(b) Place the inner race (inside) to the bearing.

(c) Using SST and a press, remove the bearing.

SST 09950-60010 (09951-00640), 09950-70010 (09951-07150)